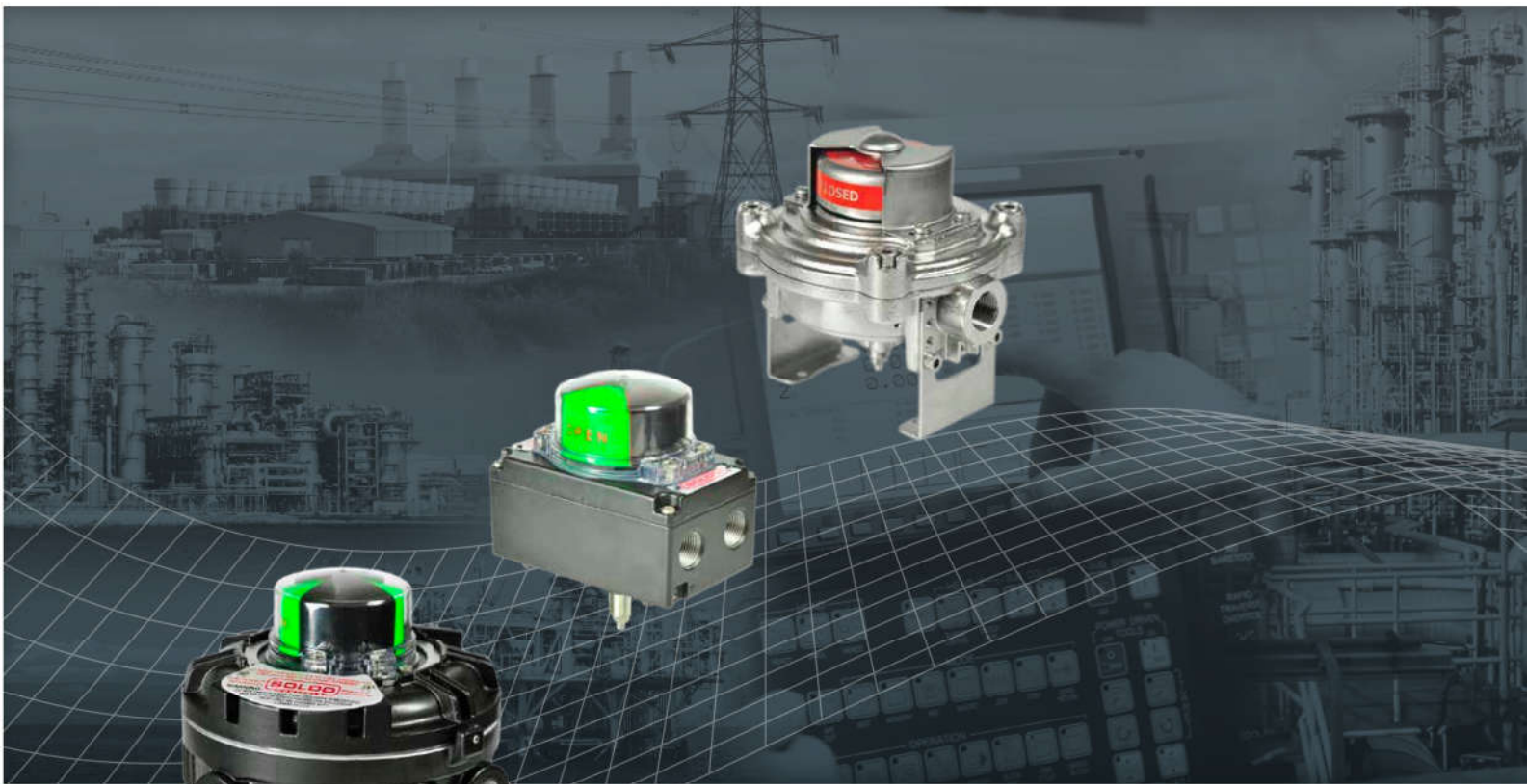


# rotork®

Keeping the World Flowing  
for Future Generations



## Limit Switch Boxes



**SOLDO**  
CONTROLS  
A rotork® Brand

## SX limit switch box series

Limit switch box designed for explosionproof applications.

### Features

- Twin shaft design
- Metallic self lubricating bushings
- Aluminium enclosure with thick protective powder coating
- Up to three cable entries either metric or imperial
- Multiple indicator options
- Easy wiring through the terminal PCB board

### Approvals

**ATEX, IECEx, EAC, CCOE:**

Ex II 2GD Ex db IIB T4/T5/T6 Gb  
 Ex tb IIIC T135/T100/T85°C Db  
 Ta: -20 °C ≤ Ta ≤ 105 °C / 75 °C / 60 °C

**UL:**

Class I Division 1 Groups C, D Division 2 Groups A, B, C, D  
 Class II Division 1 Groups E, F, G Division 2 Groups F, G

**SIL certificate:** Up to SIL 3 certified by TÜV

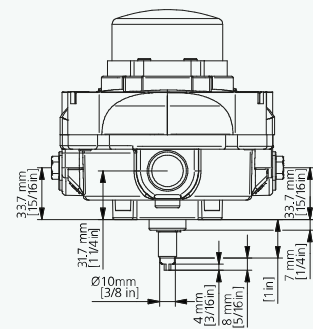
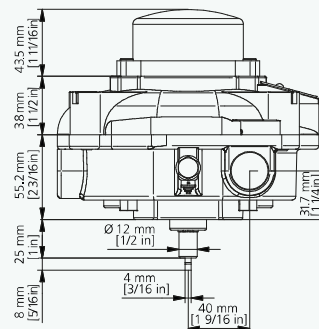
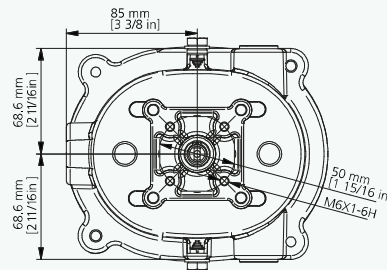
**Protection rating:** IP66/67  
 NEMA 4 4X on request

**Temperature:**

-20 to +80 °C (-4 to +176 °F) standard temperature range



### SX limit switch box



# SX limit switch box series

## Nomenclature

SX N1 2 0 0 - 1 0 X 3 2 A 4

### Box

SX = Exd IIB applications

### Switch

01 = Electro mec. switch, SPDT, silver contacts, up to SIL3 (Switch qty: 2,3,4; Terminal digit: 0; temp digit: A)  
 03 = Electro mec. switch, SPDT, gold contacts, up to SIL3, Exia ready, (Switch qty: 1,2,3,4; Terminal digit: 0; temp digit: A)  
 1F = Electro mec. switch, DPDT, silver contacts, up to SIL3 (Switch qty: 1,2; Terminal digit: 0; temp digit: A)  
 06 = Electro mec. switch, SPDT, gold contacts, up to SIL3, Exia ready, (Switch qty: 1,2; Terminal digit: 0; temp digit: A)  
 C4 = Magnetic reed SPDT, hermetically sealed, up to SIL3, Exia ready, (Switch qty: 1,2,3,4; Terminal digit: 0; temp digit: A)  
 C8 = Magnetic reed DPDT, hermetically sealed, up to SIL3, Exia ready, (Switch qty: 1,2,3,4; Terminal digit: 0; temp digit: A)  
 N1 = Mag. proximity SPDT silver hermetically sealed up to SIL3, (Switch qty: 1,2,3,4; Terminal digit: 0; temp digit: A)  
 N3 = Mag. proximity SPDT gold hermetically sealed up to SIL3, Exia ready, (Switch qty: 1,2,3,4; Terminal digit: 0; temp digit: A)  
 N4 = Mag. proximity DPDT silver hermetically sealed up to SIL3, (Switch qty: 1,2,3,4; Terminal digit: A; temp digit: A)  
 32 = Inductive proximity NBN4-12GM40-Z0 2 wires, (Switch qty: 1,2,3,4; Terminal digit: 0; temp digit: B)  
 73 = Inductive proximity NBB2-V3-E2, PNP NO, up to SIL3, (Switch qty: 1,2,3,4; Terminal digit: 0; temp digit: B)  
 75 = Inductive proximity IS5026, 2 wire, NO /NC, (Switch qty: 1,2,3,4; Terminal digit: 0; temp digit: A)  
 70 = Inductive NAMUR proximity NJ2-V3-N, 2 wire, up to SIL3, Exia ready, (Switch qty: 1,2,3,4; Terminal digit: 0; temp digit: A)  
 T0 = 4-20mA analog position transmitter, (Switch qty: 0; Terminal digit: A; temp digit: A)  
 T1 = 4-20mA analog position transmitter + electro mec. switch, SPDT, silver contacts, (Switch qty: 1,2; Terminal digit: A; temp digit: A)  
 T4 = 4-20mA analog position transmitter + mag. reed switch, SPDT, (Switch qty: 1,2; Terminal digit: A; temp digit: A)  
 H0 = 4-20mA HART position transmitter, Exia ready, (Switch qty: 0; Terminal digit: A; temp digit: A)  
 H4 = 4-20mA HART position transmitter + mag. reed switch, SPDT, (Switch qty: 1,2; Terminal digit: A; temp digit: A)

See additional information and options on pages 14-19

### Switch Quantity

0 = no switches for digital feedback  
 1 = N° 1 switch (related to switch description)  
 2 = N° 2 switch (related to switch description)  
 3 = N° 3 switch (related to switch description)  
 4 = N° 4 switch (related to switch description)

### Terminals

0 = Pre-wired terminal strip with additional extra poles for solenoid valve connection (for switches 01, 03, 1F, 06 C4, C8, N1, N3, N4, 32, 70, 62, 73, 75)  
 A = Pre-wired terminals without solenoid valve connection (for switches 62, T0, T1, T4, H0, H4, P0)

### Coating

0 = Black powder coating

### Cable Entries

1 = 2 cable entries 1/2" NPT  
 2 = 2 cable entries M20x1.5  
 3 = 2 x 1/2" NPT + 1 x 3/4" NPT cable entries

### Visual Position Indicator

0 = 3D plastic visual position indicator red and green  
 2 = 3-position indicator (T-port 180 deg. Blocked centre)  
 A = 3-position indicator (L-port)  
 B = 3-position indicator (T-port 180 deg.)  
 T = 3D stainless steel position indicator

See additional information and options on page 11

### Approval

X = ATEX and IECEx certified box  
 G = EAC certification for Russian market  
 J = CCOE certification for Indian market  
 U = UL certified box (for UL certified units please contact your local office for temperature selection)  
 W = Weather proof

See additional information and options on page 13

### Marking

0 = Standard location  
 3 = Certification marking: Ex II 2GD Exd IIB  
 7 = cULus Class 1/2 Div 1  
 8 = cULusClass 1/2 Div 1/2 (with switches code: C4, C8, N1, N3)

See additional information and options on page 13

### IP Protection rating

1 = Weather proof IP 66/67  
 7 = Nema 4 and 4X

### Temperature

A = Ambient temperature -20 to +80 °C (-4 to +176 °F) (standard for all switch options, excluding: 32, 70, 73, 75)  
 B = Ambient temperature range -20 to +70 °C (for switches 32, 73)

### Material

3 = Die cromated aluminium heavy duty body and cover