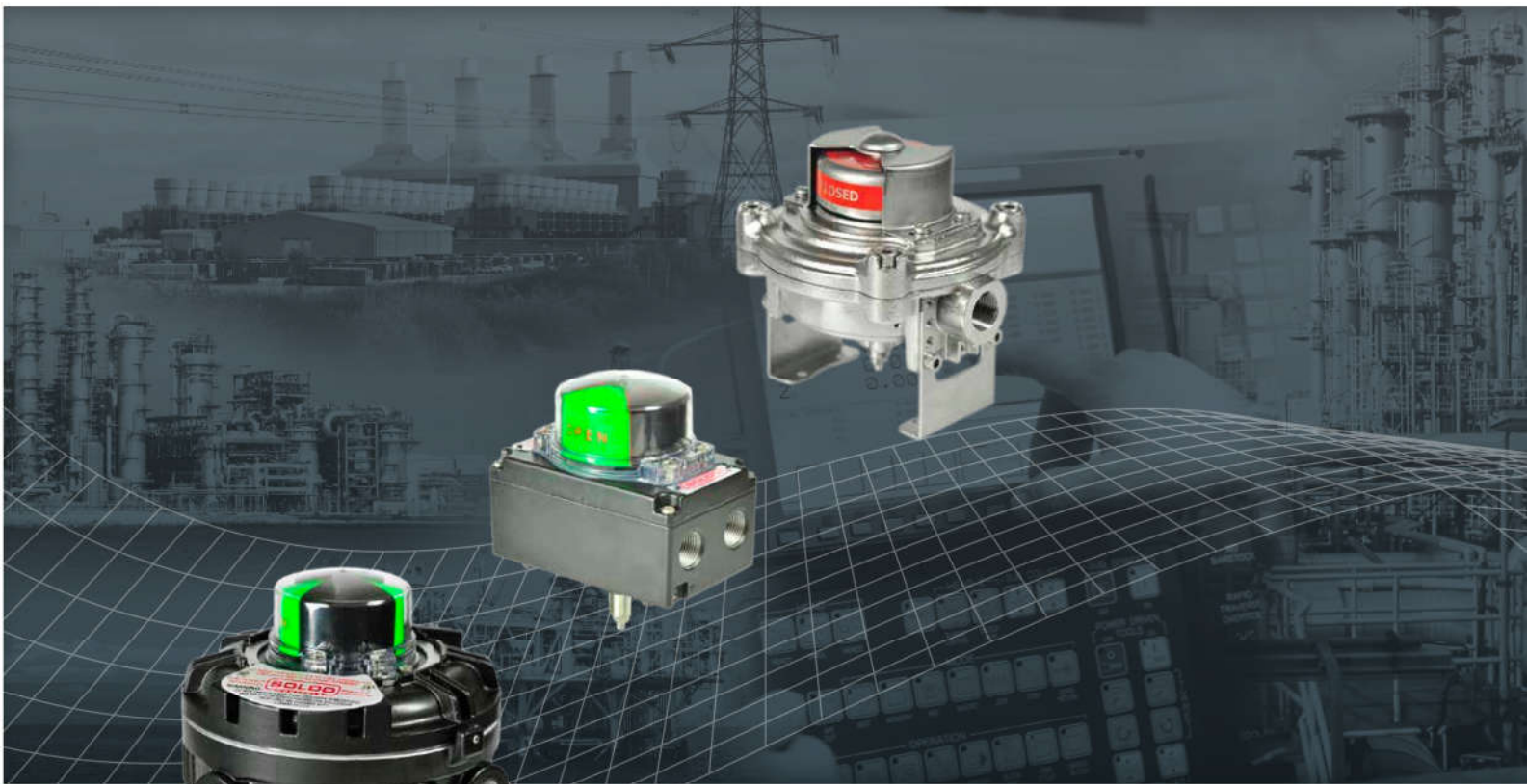


rotork®

Keeping the World Flowing
for Future Generations



Limit Switch Boxes



SOLDO
CONTROLS
A rotork® Brand

SP - SM limit switch box series

Compact limit switch box for industrial, water treatment and light duty applications.

Features

- Integrated mounting kit for NAMUR pattern
- Corrosion free glass reinforced plastic enclosure on SP series
- Nickel plated aluminium body on SM series
- One cable entry (SP) or two cable entries (SM) either metric or imperial
- Multiple indicator options
- Easy wiring through the terminal PCB board

Approvals

ATEX, EAC, CCOE:

Ex II 2GD Ex ia IIC T4/T5/T6
 Ex ia IIIB T44 °C.....T108 °C Db IP6*
 Ta: -20 °C ≤ Ta ≤ 80 °C

SIL certificate: Up to SIL 2 certified by TÜV

Protection rating: IP65
 IP67 on request
 NEMA 4 4X on request

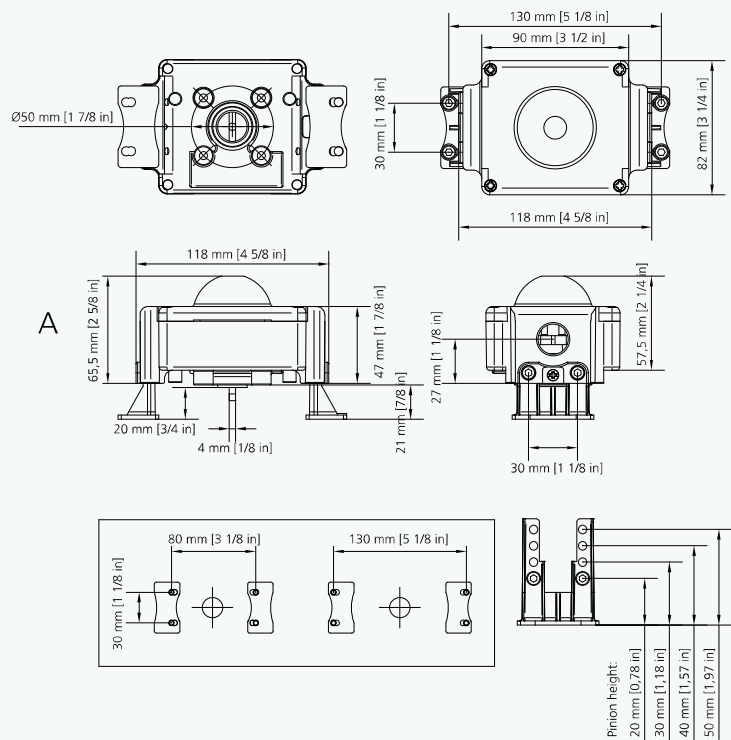
Temperature:
 -20 to +80 °C (-4 to +176 °F) standard temperature range



SP limit switch box



SM limit switch box



SP - SM limit switch box series

Nomenclature

SP N1 2 H 0 - D H W 0 0 R 1

Box

SP = Glass reinforced plastic body with polycarbonate cover
SM = Aluminium body with polycarbonate cover

Switch

01 = Electro mec. switch, SPDT, silver contacts, up tp SIL3 (Switch qty: 2 ;Terminal digit: 0; temp digit: A)
03 = Electro mec. switch, SPDT, gold contacts, up tp SIL3, Exia ready, (Switch qty: 1,2 ;Terminal digit: 0; temp digit: A)
06 = Electro mec. switch, SPDT, gold contacts, up tp SIL3, Exia ready, (Switch qty: 1,2 ;Terminal digit: A; temp digit: A)
1F = Electro mec. switch, DPDT, silver contacts, up tp SIL3 (Switch qty: 1,2 ;Terminal digit: A; temp digit: A)
C4 = Magnetic reed SPDT, hermetically sealed, up to SIL3, Exia ready, (Switch qty: 1,2 ;Terminal digit: 0; temp digit: A)
N1 = Mag. proximity SPDT silver hermetically sealed up to SIL3, (Switch qty: 1,2 ;Terminal digit: 0; temp digit: A)
N3 = Mag. proximity SPDT gold hermetically sealed up to SIL3, Exia ready, (Switch qty: 1,2 ;Terminal digit: 0; temp digit: A)
70 = Inductive NAMUR proximity NJ2-V3-N, 2 wire, up to SIL3, Exia ready, (Switch qty: 1,2 ;Terminal digit: 0; temp digit: A)
73 = Inductive proximity NBB2-V3-E2, PNP NO, up to SIL3, (Switch qty: 1,2 ;Terminal digit: 0; temp digit: B)
75 = Inductive proximity IS5026, 2 wire, NO /NC, (Switch qty: 1,2 ;Terminal digit: 0; temp digit: A)

See additional information and options on pages 14-19

Switch Quantity

2 = 2 switches

Terminals

0 = Pre-wired terminal strip with additional extra poles for solenoid valve connection
(for switches 01, 03, C4, N1, N3, 70, 73, 75)
A = Pre-wired terminals without solenoid valve connection (for switches 1F, 06)

Coating

0 = Black plastic enclosure (on SP series)
N = Nickel plated aluminium body (on SM series)

Cable Entries

D = 1 cable entry 1/2" NPT
E = 1 cable entry M20 x 1.5
1 = 2 cable entries 1/2" NPT (SM series only)
2 = 2 cable entries M20 x 1.5 (SM series only)

Visual Position Indicator

H = 3D visual position indicator black and yellow
Z = Flat visual position indicator black and yellow

Approval

W = Weather proof
A = ATEX certified
G = EAC certification for Russian market

See additional information and options on page 13

Marking

0 = Standard location
1 = Intrinsically Safe certification

See additional information and options on page 13

IP Protection rating

0 = Weather proof IP65
7 = NEMA 4 and 4X
2 = Weather proof IP67

Temperature

A = Ambient temperature range: -20 to +80 °C (-4 to +176 °F)
B = Ambient temperature range: -20 to +70 °C (-4 to +158 °F) for sensor option 73

Material

1 = Glass reinforced plastic body and polycarbonate cover (on SP series)
2 = Nickel plated aluminium body and polycarbonate cover (on SM series)