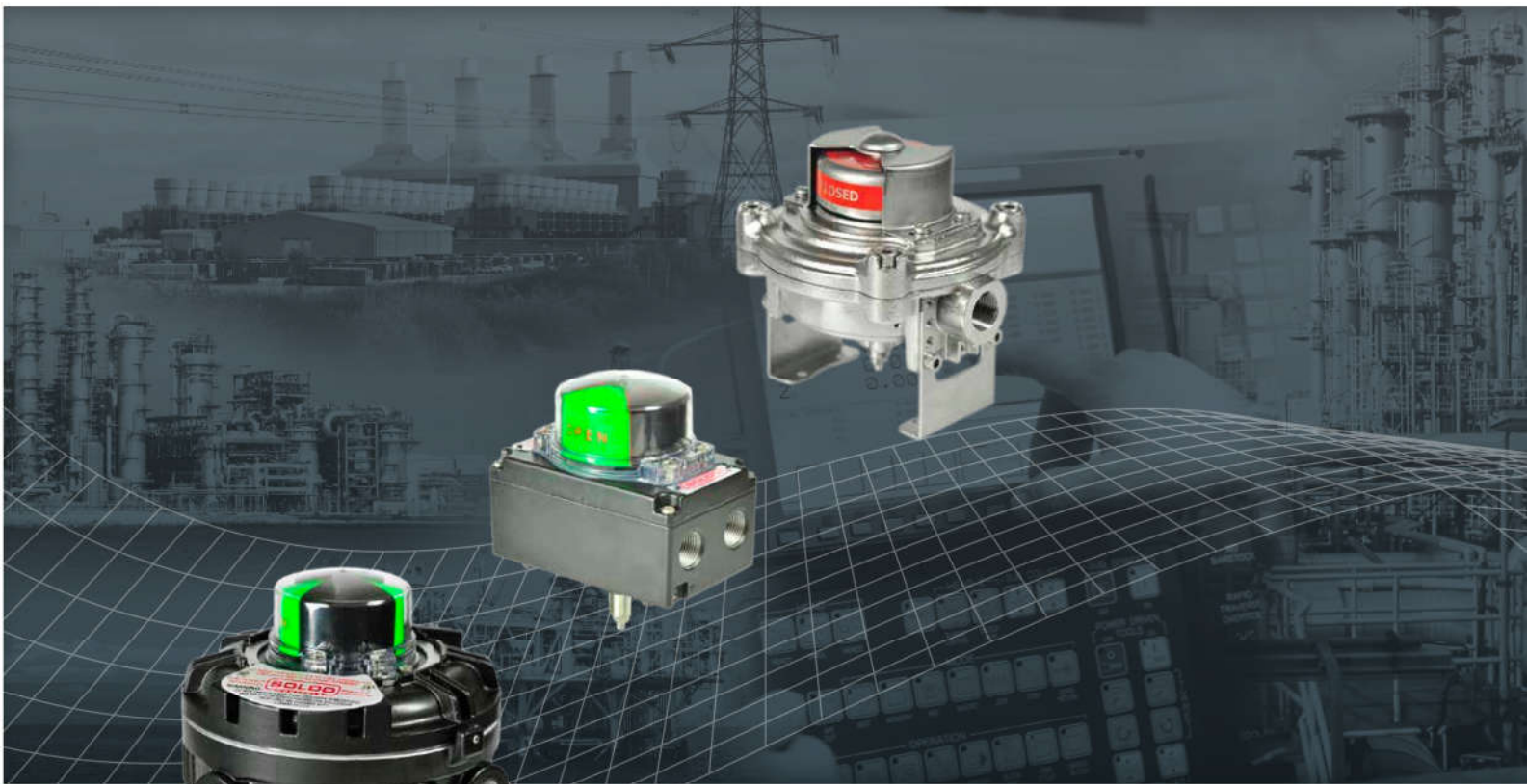


# rotork®

Keeping the World Flowing  
for Future Generations



## Limit Switch Boxes



**SOLDO**  
CONTROLS  
A rotork® Brand

## SB limit switch box series

Multi purpose limit switch box for safe area or Intrinsically Safe applications.

### Features

- Self lubricating bushings
- Copper free aluminium housing for maximum corrosion protection
- Two cable entries either metric or imperial
- Multiple indicator options
- Easy wiring through the terminal PCB board
- Position transmitter board optional

### Approvals

**ATEX, IECEx, EAC:**

**For NAMUR sensors type:**

II 2GD Ex ia IIC T4/T5/T6 Gb Ex ia IIIC T95°C/95°C/85°C Db

**For SPDT, DPDT switches type:**

II 2GD Ex ia IIC T4 Gb Ex ia IIIC T95°C Db

II 2D Ex tb IIIC T95°C Db

**UL:** Class I Division 2 Groups A, B, C, D  
Class II Division 2 Groups F, G

**SIL certificate:** Up to SIL 3 certified by TÜV

**Protection rating:** IP 66 / 67

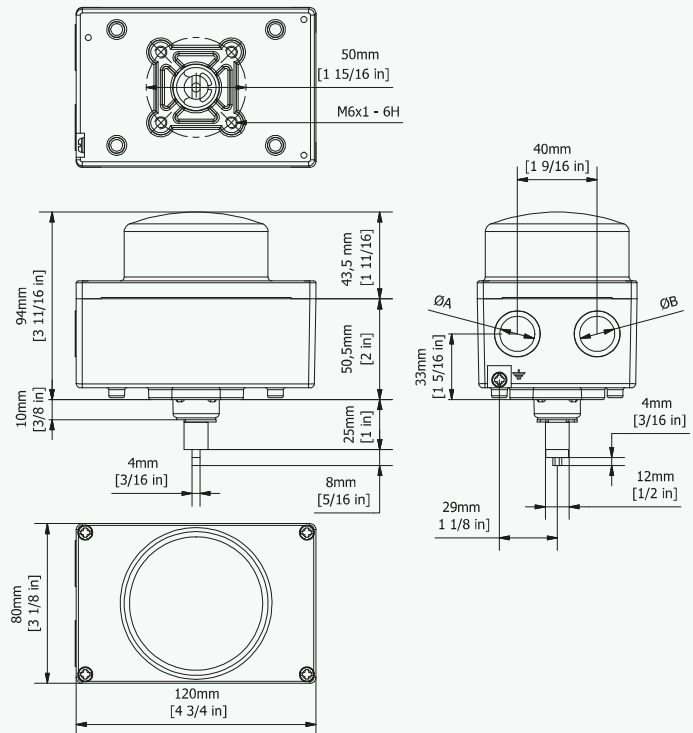
NEMA 4 4X on request

**Temperature:**

-20 to +80 °C (-4 to +176 °F) standard temperature range



### SB limit switch box



# SB limit switch box series

## Nomenclature

SB N1 2 0 0 - 1 1 X 1 1 A 4

### Box

SB = Aluminium body with polycarbonate cover

### Switch

01 = Electro mec. switch, SPDT, silver contacts, up tp SIL3 (Switch qty: 2,3; Terminal digit: 0; temp digit: A)  
 03 = Electro mec. switch, SPDT, gold contacts, up tp SIL3, Exia ready, (Switch qty: 1,2,3; Terminal digit: 0; temp digit: A)  
 1F = Electro mec. switch, DPDT, silver contacts, up tp SIL3 (Switch qty: 1,2; Terminal digit: 0; temp digit: A)  
 06 = Electro mec. switch, SPDT, gold contacts, up tp SIL3, Exia ready, (Switch qty: 1,2; Terminal digit: 0; temp digit: A)  
 C4 = Magnetic reed SPDT, hermetically sealed, up to SIL3, Exia ready, (Switch qty: 1,2,3; Terminal digit: 0; temp digit: A)  
 N1 = Mag. proximity SPDT silver hermetically sealed up to SIL3, (Switch qty: 1,2,3; Terminal digit: 0; temp digit: A)  
 N3 = Mag. proximity SPDT gold hermetically sealed up to SIL3, Exia ready, (Switch qty: 1,2,3; Terminal digit: 0; temp digit: A)  
 N4 = Mag. proximity DPDT silver hermetically sealed up to SIL3, (Switch qty: 1,2; Terminal digit: A; temp digit: A)  
 32 = Inductive proximity NBN4-12GM40-Z0 2 wires, (Switch qty: 1,2; Terminal digit: 0; temp digit: B)  
 73 = Inductive proximity NBB2-V3-E2, PNP NO, up to SIL3, (Switch qty: 1,2,3; Terminal digit: 0; temp digit: B)  
 75 = Inductive proximity IS5026, 2 wire, NO /NC, (Switch qty: 1,2,3; Terminal digit: 0; temp digit: A)  
 70 = Inductive NAMUR proximity NJ2-V3-N, 2 wire, up to SIL3, Exia ready, (Switch qty: 1,2,3; Terminal digit: 0; temp digit: A)

**See additional information and options on pages 14-19**

### Switch Quantity

1 = N° 1 switch (related to switch description)  
 2 = N° 2 switch (related to switch description)  
 3 = N° 3 switch (related to switch description)

### Terminals

0 = Pre-wired terminal strip with additional extra poles for solenoid valve connection  
 (for switches 01, 03, 1F, 06 C4, C8, N1, N3, 32, 70, 62, 73, 75)

### Coating

0 = Black powder coating

### Cable Entries

1 = 2 cable entries 1/2" NPT  
 2 = 2 cable entries M20 x 1.5p

### Visual Position Indicator

0 = 3D plastic visual position indicator red and green

**See additional information and options on page 11**

### Approval

W = Weather proof  
 X = ATEX and IECEx certified box  
 G = EAC certification for Russian market  
 U = UL certified box (not available for switches 32, 75, 62)

**See additional information and options on page 13**

### Marking

0 = Standard location  
 1 = Intrinsically safe certification  
 9 = cULus Class 1/2 Div 2 (with switches code: C4, N1, N3)

**See additional information and options on page 13**

### IP Protection rating

1 = Weather proof IP66 / IP67  
 7 = NEMA 4 and 4X

### Temperature

A = Ambient temperature range: -20 to +80 °C (-4 to +176 °F)  
 B = Ambient temperature range: -20 to +70 °C (-4 to +158 °F) (for switch 73, 32)

### Material

2 = Die-cast aluminium heavy duty body and polycarbonate cover