



PRODUCTS CATALOGUE

<ul style="list-style-type: none"> ● RED LINE 3 SWING CHECK VALVES Series CV SWING CHECK VALVES Series CS DUAL PLATE CHECK VALVES Series CD DISC CHECK VALVES Series DCel BUTTERFLY VALVES Series VF BUTTERFLY VALVES Series VFi COUNTERWEIGHT CHECK VALVES Series CC
<ul style="list-style-type: none"> Ⓢ WHITE LINE 26 BUTTERFLY VALVES Series BV/BVT BUTTERFLY VALVES Series BR/BRT BUTTERFLY VALVES Series BVs ACCESSORIES
<ul style="list-style-type: none"> ● GREEN LINE 44 BUTTERFLY VALVES Series CH SIGHT GLASSES Series SV
<ul style="list-style-type: none"> ● BLACK LINE 53 BUTTERFLY VALVES DAMPER Series DVO DV2 DN50 - DN300 BUTTERFLY VALVES DAMPER Series DVO DV2 DN350 - DN900 BUTTERFLY VALVES DAMPER Series DV4 DN50 - DN 300 BUTTERFLY VALVES DAMPER Series DV4 DN350 - DN900

RED LINE

[Back to summary](#)


SWING CHECK VALVES

SERIES CV

RED LINE

marine and offshore
industry /
petrochemical
industry /
general plants



 In compliance with PED 97/23/EC

TECHNICAL DETAILS

Wafer design

Self-centering

Light weight and small face to face

Low pressure drop

Easy to install and maintenance

Standard materials: zinc plated carbon steel, stainless steel 316, alu-bronze

Metal/metal seat or soft seal (NBR, EPDM, PTFE, FKM)

Series DN 32 ÷ DN 800

Suitable for flange UNI PN 6, 10, 16, 25 e ANSI 150 RF

Further materials and special execution upon request:

- series ANSI 300 ÷ ANSI 1500 RF e RTJ
- series PN 40 ÷ PN 250

APPLICATIONS



MARINE AND
OFFSHORE
INDUSTRY



PETROCHEMICAL
INDUSTRY



HEATING



VENTILATION



FIRE
PROTECTION
SYSTEM



WATER
INDUSTRY

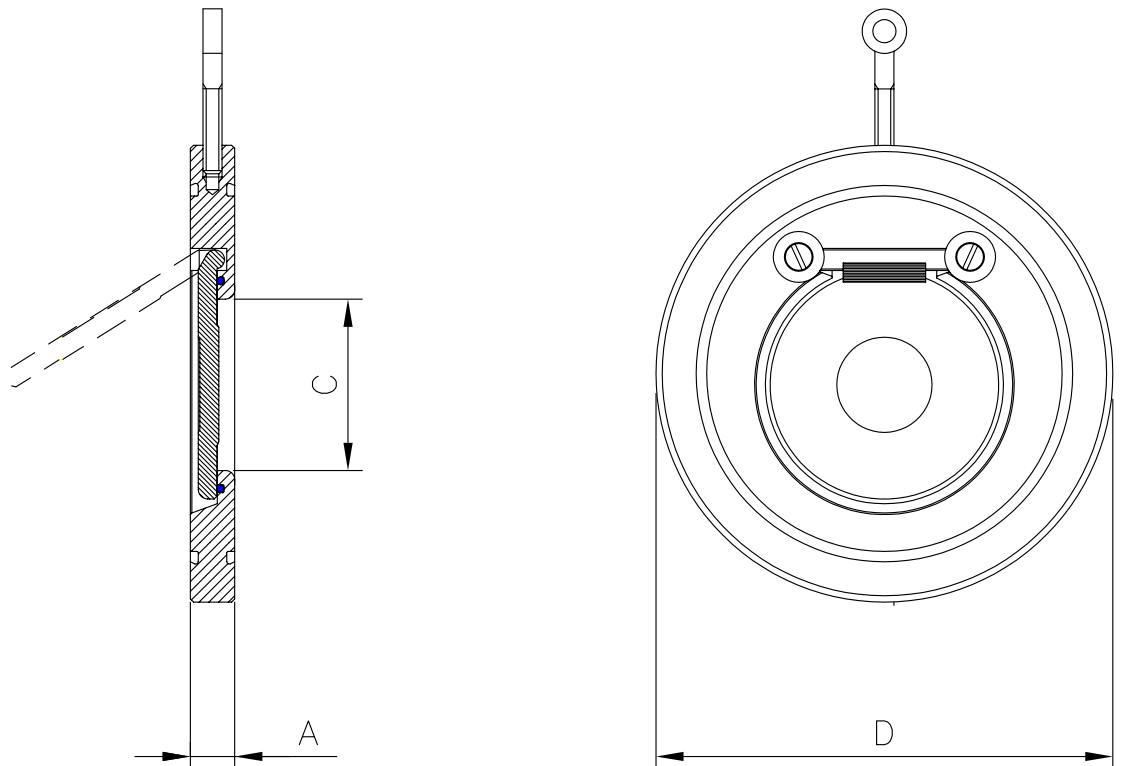
WORKING PRESSURE

PN 6	6 Kg/cm ²	85 Psi
PN 10	10 Kg/cm ²	142 Psi
PN 16	16 Kg/cm ²	227 Psi
PN 25	25 Kg/cm ²	355 Psi
ANSI 150	20 Kg/cm ²	284 Psi

**MINIMUM
OPENING PRESSURE
(mbar)**

Flow Direction		DN 32 : DN 150	DN 200 : DN 300	DN 400 : DN 600
Horizontal open 10°	→	3	3	6
Horizontal open 30°	→	9	12	16
Horizontal open 60°	→	13	19	26
Vertical unphill	↑	16	22	32
Vertical downhill	↓	It is not possible to use the valve mounted in this position		

TECHNICAL DRAWINGS



DIMENSIONS

DN		A	C	D	D	D	D	D	WT PN10
mm	inch			PN6	PN10	PN16	PN25	ANSI 150	Kg
32	1" 1/4	14	17	78	84	84	84	76	0,6
40	1" 1/2	14	22	88	95	95	95	86	0,7
50	2"	14	32	98	109	109	109	105	0,9
65	2" 1/2	14	40	118	129	129	129	124	1,2
80	3"	14	54	134	144	144	144	137	1,5
100	4"	18	70	154	164	164	170	175	2,4
125	5"	18	92	184	195	195	198	195	3,4
150	6"	20	112	209	220	220	228	220	4,6
200	8"	22	154	264	275	275	285	279	7,5
250	10"	26	200	319	330	330	340	340	13,1
300	12"	32	240	375	380	387	403	410	20,4
350	14"	38	270	425	440	448	460	448	32,0
400	16"	44	310	475	490	495	514	514	48,0
450	18"	50	360	530	540	557	567	548	63,0
500	20"	56	405	580	595	617	624	605	87,0
600	24"	62	486	680	695	734	731	715	130,0
700	28"	68	580	785	810	805	833	830*	215,0
800	32"	80	670	890	917	911	942	937*	280,0

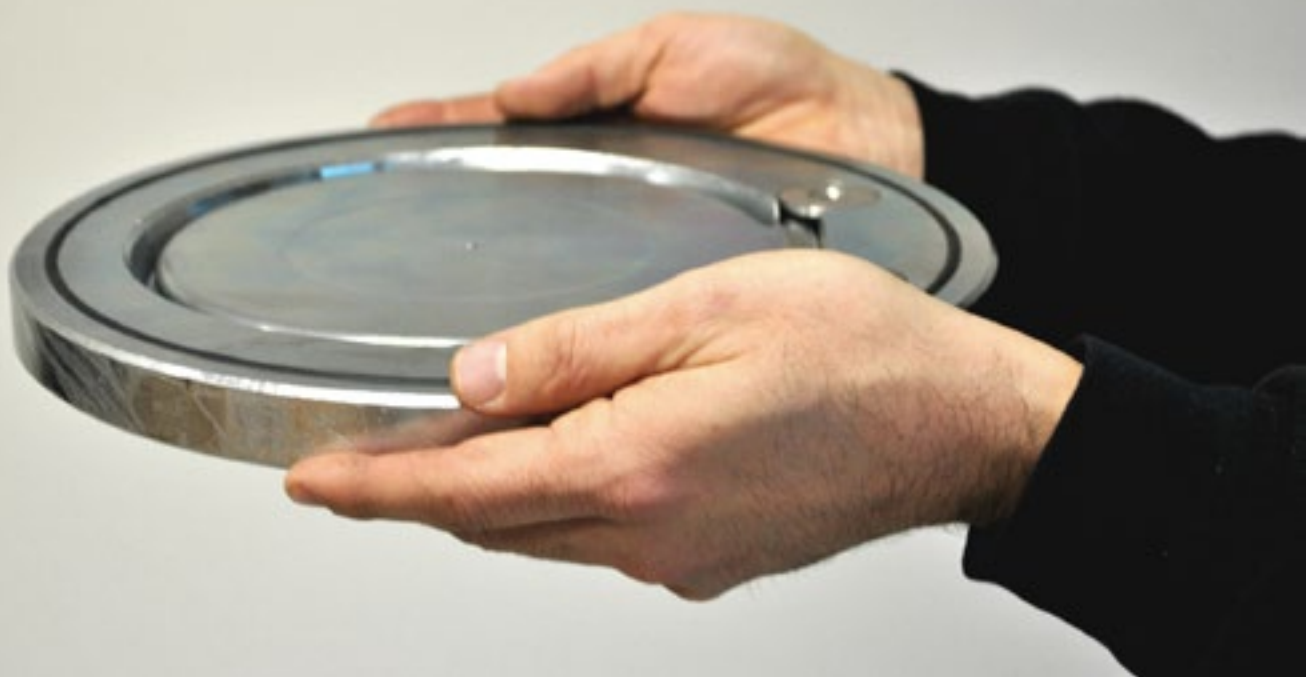
* SUITABLE FOR FLANGE MSS SP-44 150 LBS

*DN40 ANSI150 standard with raised face, no external orings

MATERIALS

Pos	Component	Q.ty	Material	T max °C	T min °C
1	Body	1	Carb. steel	+250	-10
			SS 316L	+510	-50
			Alu-bronze	+260	-10
2	Clapet	1	Carb. steel	+250	-10
			SS 316L	+510	-50
			Alu-bronze	+260	-10
3	Washer	2	AISI 316	+510	-50
4	Screw	2	AISI316	+510	-50
5	Ext. O-ring	2	NBR	+120	-20
			EPDM	+130	-30
			FKM	+260	-50
			PTFE	+260	-50
6	Int. O-ring	1	As Int. O-ring		
7	Eyebolt	1	Carb. steel		

YES



NO



SWING CHECK VALVES

SERIES CS

RED LINE

marine and offshore
industry /
petrochemical
industry /
general plants



CE In compliance with PED 97/23/EC

TECHNICAL DETAILS

Wafer design

Self-centering

Light weight and small face to face

Low pressure drops

Easy to install and maintenance

Standard materials: zinc plated carbon steel, stainless steel 316, alu-bronze

Metal/metal seat or soft seal (NBR, EPDM, PTFE, FKM)

Series DN 32 ÷ DN 350

Suitable for flanges EN1092-1:2001 PN6, 10, 16, 25 and ANSI150 RF

Further materials and special executions upon request: series ANSI300 ÷ ANSI1500 RF e RTJ
series PN40 ÷ PN250

APPLICATIONS



MARINE AND
OFFSHORE
INDUSTRY



PETROCHEMICAL
INDUSTRY



HEATING



VENTILATION



FIRE
PROTECTION
SYSTEM



WATER
INDUSTRY

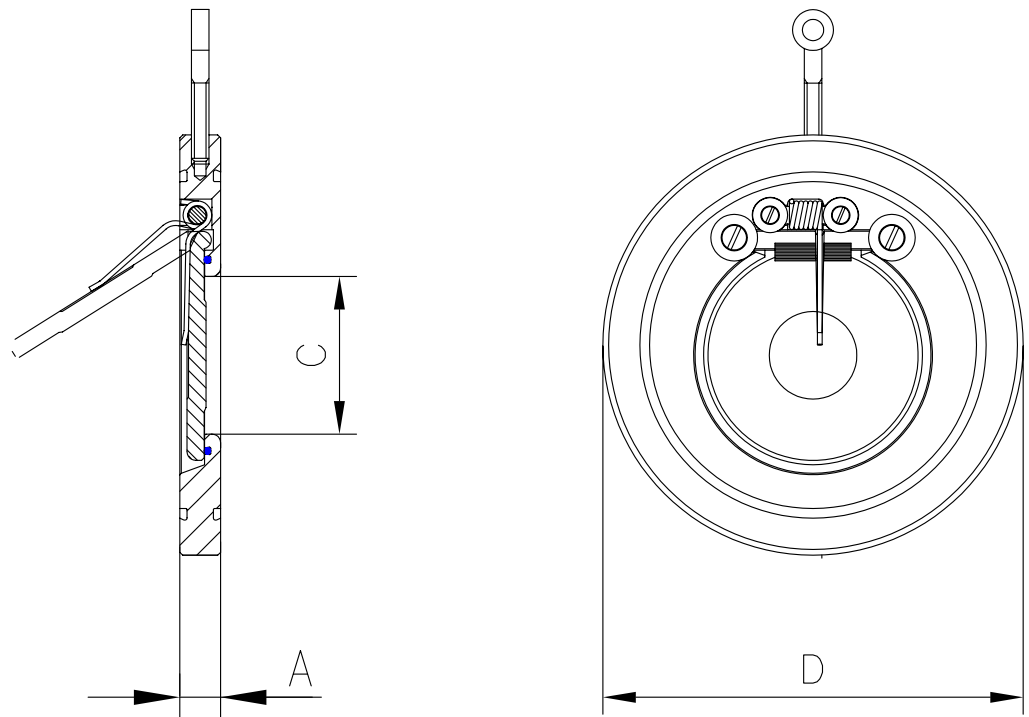
WORKING PRESSURE

PN 6	6 Kg/cm ²	85 Psi
PN 10	10 Kg/cm ²	142 Psi
PN 16	16 Kg/cm ²	227 Psi
PN 25	25 Kg/cm ²	355 Psi
ANSI 150	20 Kg/cm ²	284 Psi

**MINIMUM
OPENING PRESSURE
(mbar)**

		DN 32 : DN 150	DN 200 : DN 300
Flow Direction			
Horizontal open 10°	→	13	15
Horizontal open 30°	→	19	25
Horizontal open 60°	→	23	32
Vertical uphill	↑	26	35
Vertical downhill	↓	10	10

TECHNICAL DRAWINGS

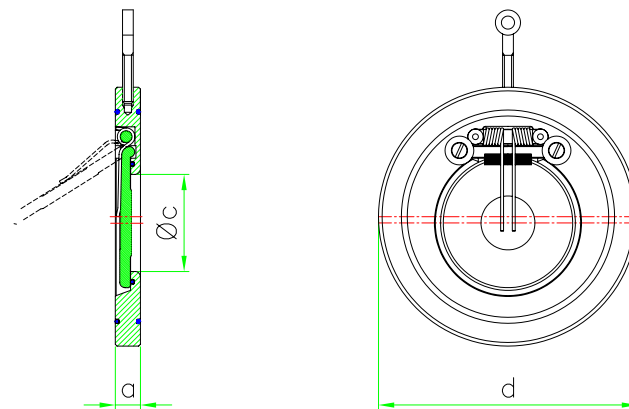


DIMENSIONS

DN		A	C	D	D	D	D	D	WT PN10
mm	inch			PN6	PN10	PN16	PN25	ANSI 150	Kg
32	1" 1/4	14	17	78	84	84	84	76	0,6
40	1" 1/2	14	22	88	95	95	95	86	0,7
50	2"	14	32	98	109	109	109	105	0,9
65	2" 1/2	14	40	118	129	129	129	124	1,2
80	3"	14	54	134	144	144	144	137	1,5
100	4"	18	70	154	164	164	170	175	2,4
125	5"	18	92	184	195	195	198	195	3,4
150	6"	20	112	209	220	220	228	220	4,6
200	8"	22	154	264	275	275	285	279	7,5

*DN40 ANSI150 standard with raised face, no external orings

TECHNICAL DRAWINGS



DIMENSIONS

DN		A	C	D	D	D	D	D	WT PN10
mm	inch			PN6	PN10	PN16	PN25	ANSI 150	Kg
250	10"	26	200	319	330	330	340	340	13,1
300	12"	32	240	375	380	387	403	410	20,4
350	14"	38	270	425	440	448	460	448	32

MATERIALS

Pos	Component	Q.ty	Material	T max °C	T min °C
1	Body	1	Carb. steel	+250	-10
			SS 316L	+510	-50
			Alu-bronze	+260	-10
2	Disc	1	Carb. steel	+250	-10
			SS 316L	+510	-50
			Alu-bronze	+260	-10

Pos	Component	Q.ty	Material	T max °C	T min °C
3	Washer	2	AISI 316	+510	-50
4	Screw	2	AISI 316	+510	-50
5	Ext O-ring	2	NBR	+120	-20
			EPDM	+130	-30
			FKM	+260	-50
			PTFE	+260	-50
6	Int O-ring	1	As Ext O-ring		
7	Eyebolt	1	Carb. steel	+250	-10
8	Spring shaft	1	AISI 316	+510	-50
9	Spring	1-2	AISI 316	+510	-50
10	Spring screw	2	AISI 316	+510	-50

DUAL PLATE
CHECK VALVE

CD SERIES

 RED LINE


marine and offshore
industry,
petrochemical
industry,
general plants



Retainerless Type



Retainer Type

 In compliance with PED 97/23/EC

TECHNICAL DETAILS

Wafer design, Lug and double flanged upon request

Self-centering

Low pressure drops

Easy to install and maintenance

Materials: zinc plated carbon steel body; stainless steel AISI 316, discs in AISI 316L/CF3M

Metal/metal seat EPDM - VITON - BUNA

Series DN50 – DN 500

suitable for flanges UNI PN 10-40 ANSI 150-600

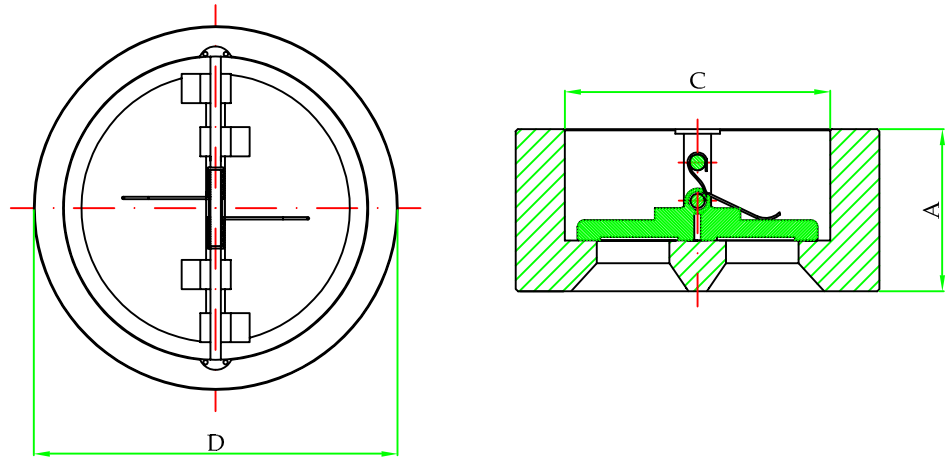
Face to face according to EN 558 – 1,16

Pressure test conform to API 598

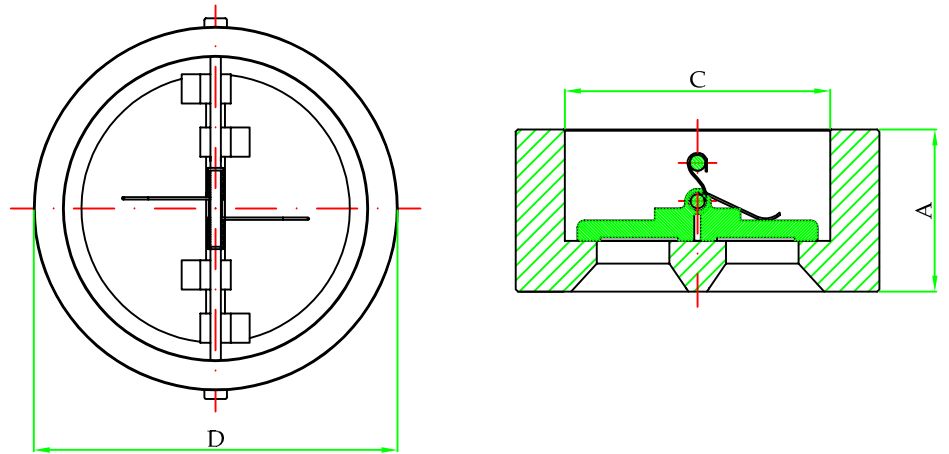
Special executions upon request

TECHNICAL DRAWINGS

Retainerless Type



Retainer Type



DIMENSIONS

DN		ØC	A	ØD PN10	ØD PN16	ØD PN25	ØD PN40	ANSI 150		ANSI 300		ANSI 600	
mm	inch							A	ØD	A	ØD	A	ØD
50	2"	65	43	109	109	109	109	60	105	60	109	60	110
65	2 1/2"	80	46	129	129	129	129	67	124	67	129	67	127
80	3"	94	64	144	144	144	144	73	137	73	144	73	147
100	4"	117	64	164	164	170	170	73	175	73	178	79	193
125	5"	140	70	195	195	198	198	86	195	86	213	98	239
150	6"	170	76	220	220	228	228	98	220	98	248	137	264
200	8"	224	89	275	275	285	293	127	279	127	306	165	318
250	10"	265	114	330	330	340	355	146	340	146	360	213	398
300	12"	310	114	380	387	403	420	178	410	178	420	229	455
350	14"	370	127	440	448	460	477	178	448	178	484	273	489
400	16"	430	140	490	495	514	549	190	514	232	539	305	563
500	20"	530	152	595	617	624	631	219	605	292	653	368	679

TECHNICAL DETAILS

PRESSURE DROP CHART

The chart is valid for water at 20°C; for other fluids, the equivalent water volumeflowrate must be calculated and used in the chart.

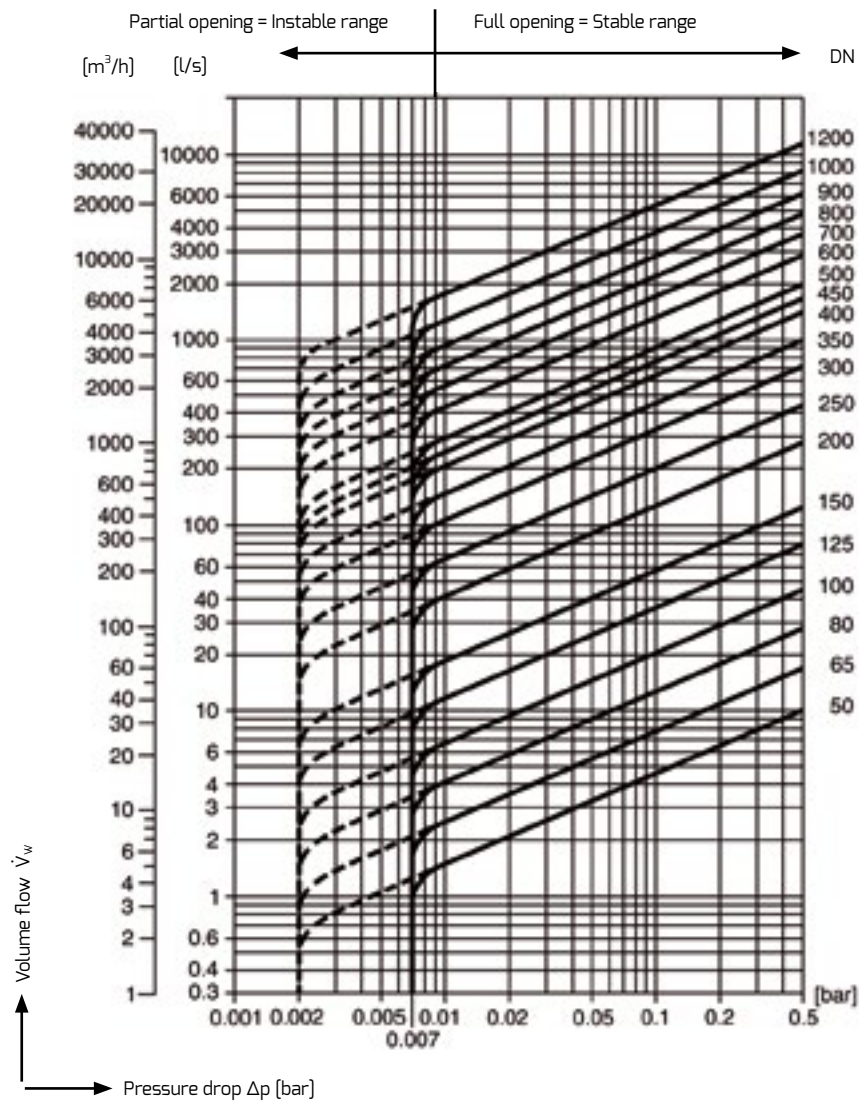
$$\dot{V}_w = \dot{V} \cdot \sqrt{\frac{\rho}{1000}}$$

\dot{V}_w = Equivalent water volume flow in [l/s] or [m³/h]

ρ = Density of fluid (operating condition) in [Kg/m³]

\dot{V} = Volume flow of fluid (operating condition) in [l/s] or [m³/h]

Note



TECHNICAL DETAILS

FLOW CHARACTERISTICS

Valves in horizontal lines.
Flow with water at 20°C.

DN		Fully open
mm	inch	K _{v5} - Value [m³/h]
50	2"	58
65	2" 1/2	95
80	3"	150
100	4"	238
125	5"	390
150	6"	600
200	8"	1439
250	10"	2200
300	12"	3800
350	14"	5000
400	16"	7100
450	18"	8400
500	20"	10180
600	24"	14000
700	28"	20000
800	32"	25400
900	36"	31000
1000	40"	42000
1200	48"	60000

OPENING PRESSURES

DN		Opening pressures [mbar] with upward flow	
mm	inch	without springs	with springs
50	2"	6	13
65	2" 1/2	6	13
80	3"	7	14
100	4"	7	14
125	5"	10	17
150	6"	11 (15)	18 (22)
200	8"	12 (18)	19 (25)
250	10"	14 (18)	21 (25)
300	12"	15 (25)	22 (32)
350	14"	17 (25)	24 (32)
400	16"	19 (25)	26 (32)
450	18"	22	29
500	20"	23 (28)	30 (35)
600	24"	24 (31)	31 (38)
700	28"	29	36
800	32"	35	42
900	36"	41	48
1000	40"	43	50
1200	48"	47	54

$C_v \text{ (U.S.)} = 1.17 \cdot K_v$

$C_v \text{ (U.K.)} = 0.98 \cdot K_v$

APPLICATIONS



MARINE AND OFFSHORE INDUSTRY



PETROCHEMICAL INDUSTRY



CHEMICAL INDUSTRY



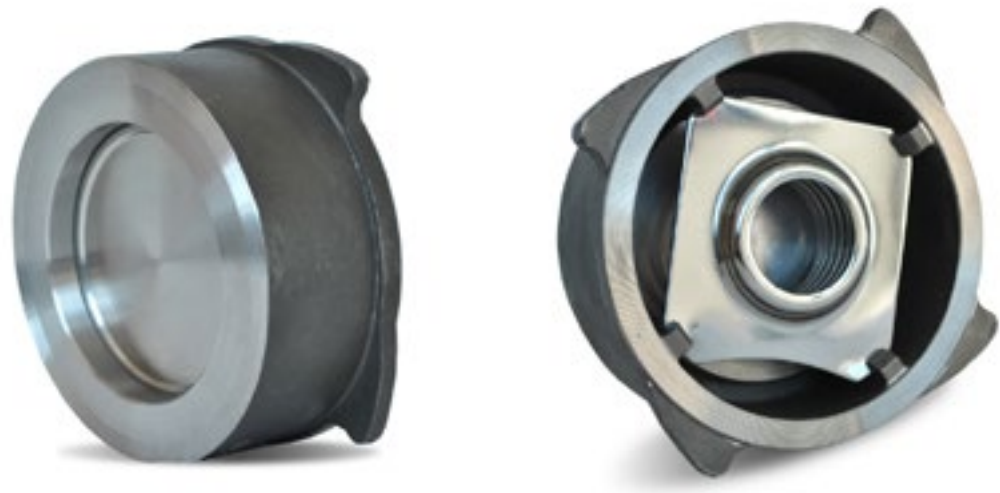
WATER INDUSTRY

DISC CHECK VALVES

SERIES DCel

RED LINE

marine and offshore industry /
petrochemical industry /
general plants



CE In compliance with PED 97/23/EC

TECHNICAL DETAILS

Wafer design

Self-centering

Low pressure drops

Easy to install and maintenance

Can be installed on vertical pipelines with downhill flow

Materials: acciaio inox AISI 316

Metal/Metal seat, soft seat upon request

Series DN 15 ÷ DN 100

Suitable to be insert for flanges PN 6, 10, 16, 25, 40, ANSI 150, ANSI 300

Working pressure MAX 20 Bar

For higher pressure please contact our offices

PTFE disc, special materials, calibrated spring upon request

APPLICATIONS



MARINE AND
OFFSHORE
INDUSTRY



PETROCHEMICAL
INDUSTRY



HEATING



VENTILATION

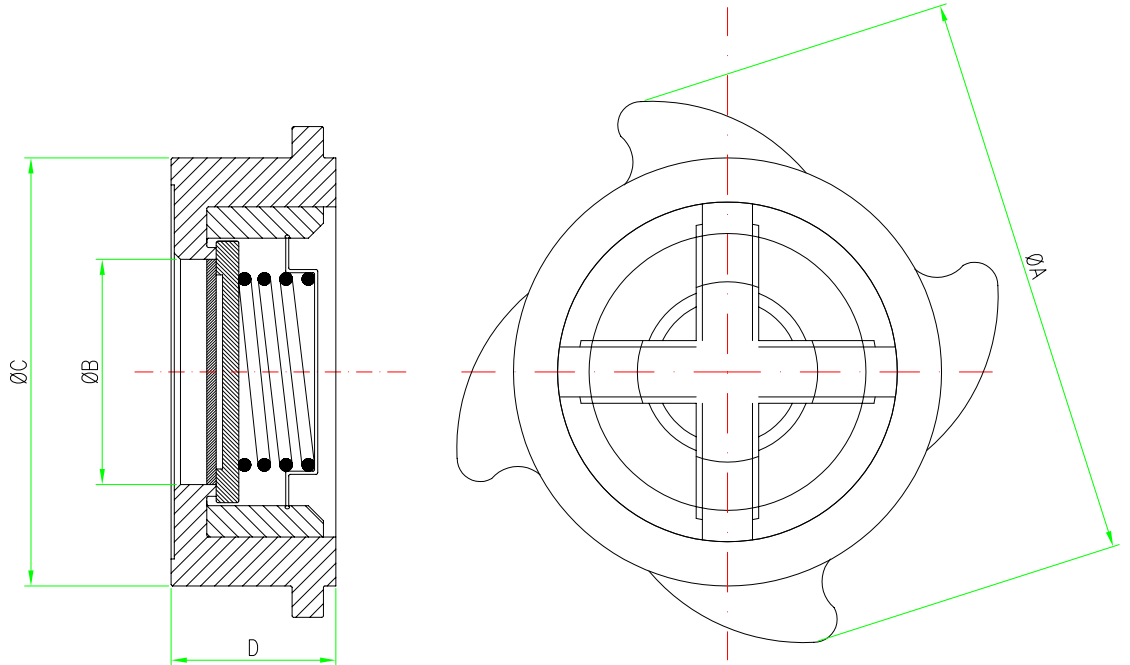


FIRE
PROTECTION
SYSTEM



WATER
INDUSTRY

TECHNICAL DRAWINGS



DIMENSIONS

DN		A	B	C	D
mm	inch				
15	1/2"	60	15	38	16
20	3/4"	69,5	20	47	20
25	1"	80,5	25	55	22
32	1" 1/4	91	32	67	28
40	1" 1/2	101	40	76	32
50	2"	115	50	93	40
65	2" 1/2	142	65	109	46
80	3"	154	80	128	50
100	4"	184	100	148	60

BUTTERFLY VALVES

SERIES VF

RED LINE

marine and offshore
industry /
petrochemical
industry /
general plants



CE In compliance with PED 97/23/EC

TECHNICAL DETAILS

Wafer and lug design

Standard with handle; with actuator, extension for handle, gear operator or bare shaft upon request

Low pressure drops

Easy to install

Materials:

- GG25 (EN GJL 250) o GGG40 (EN GJS 400-15) body
- GGG40 (EN GJS 400-15) / CF8/CF8M disc

Epoxidic coating

EPDM seat (NBR – VITON – PTFE upon request)

Series DN 50 ÷ DN 300

Suitable for flanges UNI PN 10- PN16; different flange classes upon request

For larger diameters, please, contact our export dept

APPLICATIONS



MARINE
INDUSTRY



PETROCHEMICAL
INDUSTRY



CHEMICAL
INDUSTRY



WATER
INDUSTRY

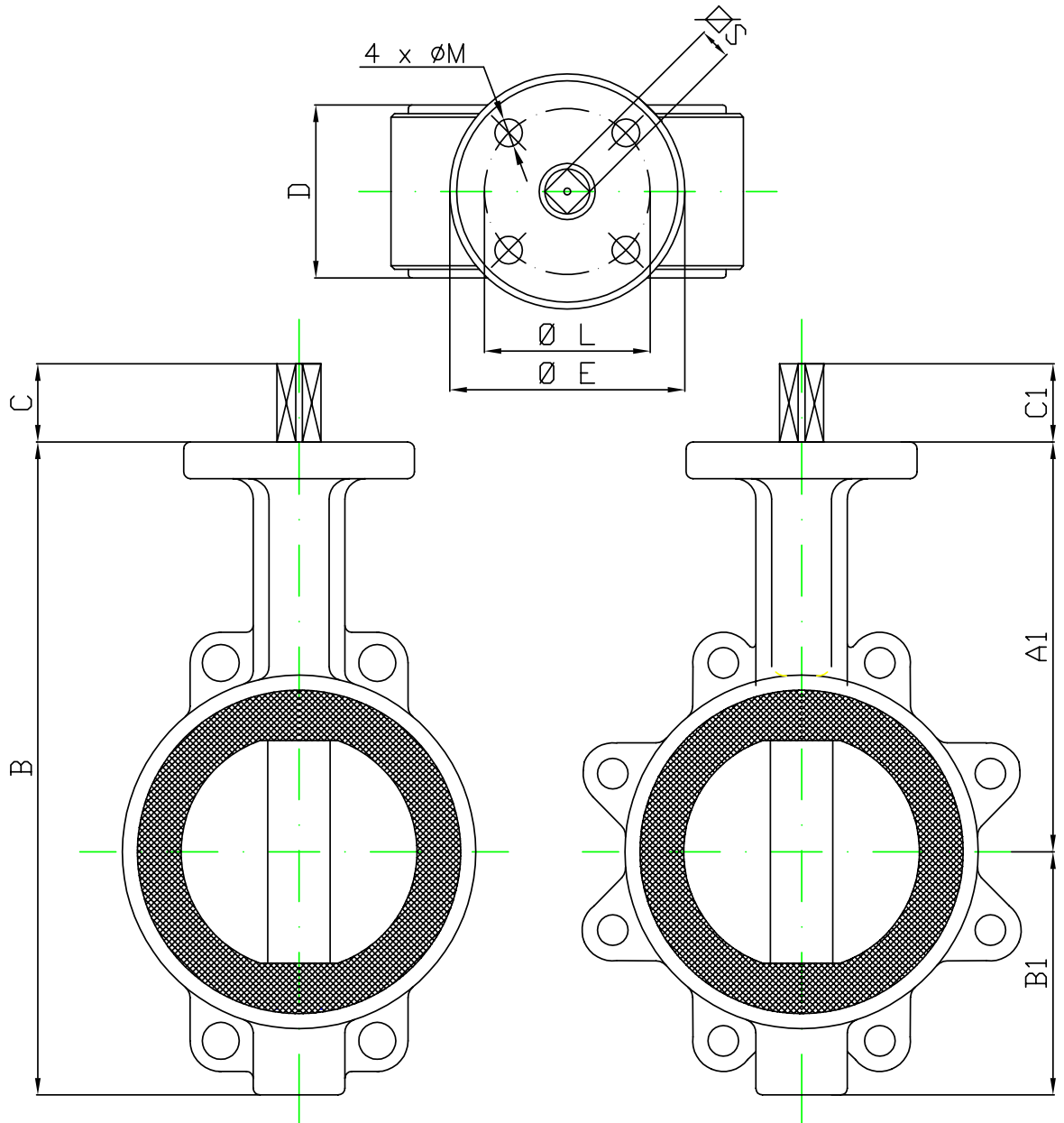
WORKING PRESSURE

PN 10	10 Kg/cm ²	142 Psi
PN 16	16 Kg/cm ²	227 Psi

**TORQUE (Nm)
WITH EPDM SEAT**

DN	50	65	80	100	125	150	200	250	300
TORQUE Nm	18	27	40	50	75	90	187	260	520

TECHNICAL DRAWINGS



DIMENSIONS

DN		A1	B	B1	C	C1	D	ØE	ØL	4xØM	ØS
mm	inch										
50	2"	161	241	80	29	32	43	77	50	4x7	9x9
65	2½"	175	264	89	29	32	46	77	50	4x7	9x9
80	3"	181	276	95	29	32	46	77	50	4x7	9x9
100	4"	200	314	114	29	32	52	90	70	4x10	11x11
125	5"	213	340	127	29	32	56	90	70	4x10	14x14
150	6"	226	365	139	29	32	56	90	70	4x10	14x14
200	8"	260	435	175	41	45	60	125	102	4x12	17x17
250	10"	292	495	203	41	45	68	125	102	4x12	19x19
300	12"	337	579	242	41	45	78	125	102	4x12	24x24

BUTTERFLY VALVES

SERIES VFi

RED LINE

marine and offshore
industry /
petrochemical
industry /
general plants



CE In compliance with PED 97/23/EC

TECHNICAL DETAILS

WAFER and LUG executions

Easy to install

Materials:

- AISI 316L
- CARBON STEEL
- SPECIAL MATERIALS UPON REQUEST

EPDM seat (upon request NBR/VITON/PTFE)

Series DN 50 ÷ DN 300

suitable for flanges UNI PN 10 different flange classes upon request

For larger diameters, pls. contact our export dept

APPLICATIONS



MARINE AND
OFFSHORE
INDUSTRY



PETROCHEMICAL
INDUSTRY



CHEMICAL
INDUSTRY



WATER
INDUSTRY

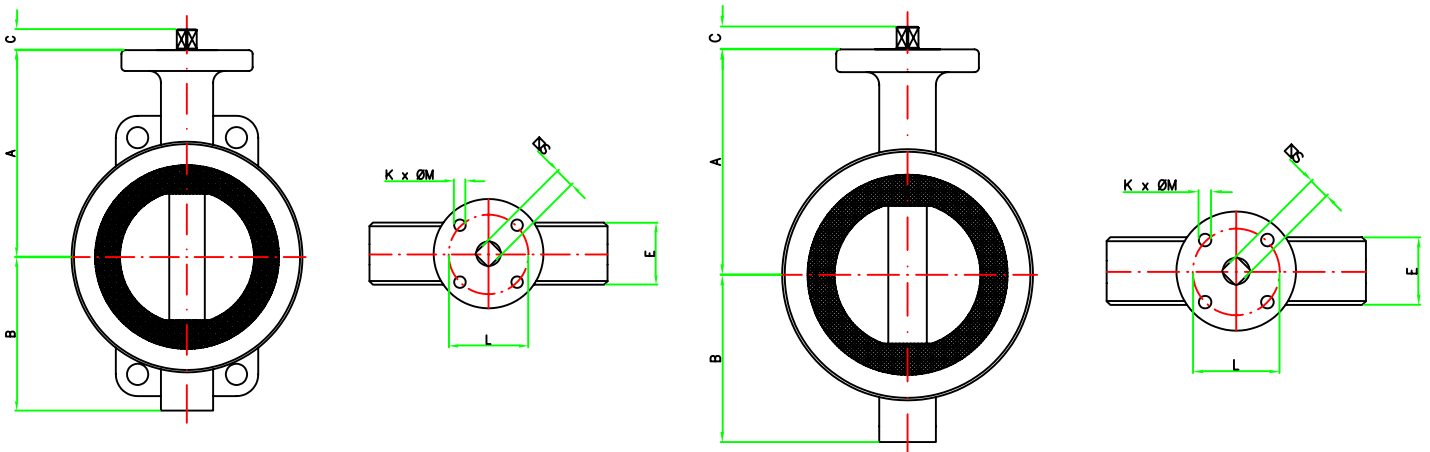
WORKING PRESSURE

PN 10	10 Kg/cm ²	142 Psi
PN 16	16 Kg/cm ²	227 Psi
ANSI 150	20 Kg/cm ²	284Psi

TORQUE (Nm)

DN	50	65	80	100	125	150	200	250	300
TORQUE Nm	18	27	40	50	75	90	187	260	520

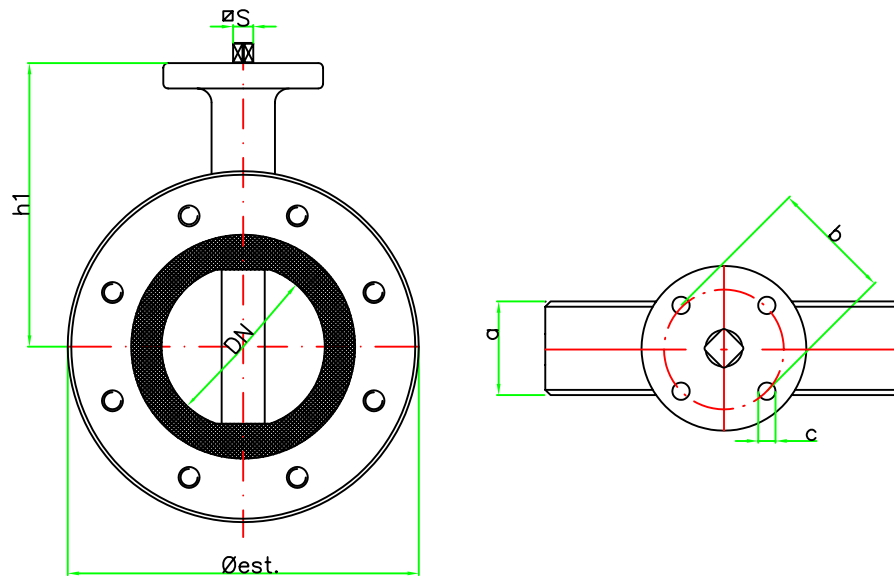
TECHNICAL DRAWINGS



DIMENSIONS

DN	Øest. PN6	Øest. PN10	Øest. PN16	Øest. PN25	Øest. ANSI150	A	B	C	H1	Ø15
50	98	109	109	109	105	43	50	7	161	9x9
65	118	129	129	129	124	46	50	7	175	9x9
80	134	144	144	144	137	46	50	7	181	9x9
100	154	164	164	170	175	52	70	10	200	11x11
125	184	195	195	198	195	56	70	10	213	14x14
150	209	220	220	228	220	56	70	10	226	14x14
200	264	275	275	285	279	60	102	12	260	17x17
250	319	330	330	340	340	68	102	12	292	22x22
300	375	380	387	403	410	78	102	12	337	22x22

TECHNICAL DRAWINGS



DIMENSIONS

DN	Øest. PN6	Øest. PN10	Øest. PN16	Øest. PN25	Øest. ANSI150	A	B	C	H1	ØCxC
50	140	165	165	165	150	43	50	7	161	9x9
65	160	185	185	185	180	46	50	7	175	9x9
80	190	200	200	200	190	46	50	7	181	9x9
100	210	220	220	235	230	52	70	10	200	11x11
125	240	250	250	270	255	56	70	10	213	14x14
150	265	285	285	300	280	56	70	10	226	14x14
200	320	340	340	360	345	60	102	12	260	17x17
250	375	395	405	425	405	68	102	12	292	22x22
300	440	445	460	485	485	78	102	12	337	22x22


COUNTERWEIGHT
CHECK VALVES

SERIES CC

 RED LINE

marine and offshore
industry /
petrochemical
industry /
general plants



 In compliance with PED 97/23/EC

TECHNICAL DETAILS

Wafer design

Self centering

Light weight and small face to face

Low pressure drops

Easy to install and maintenance

Materials: zinc plated carbon steel, stainless steel 316

Metal/metal seat or soft seals

Series DN 300 ÷ DN 800

Suitable for flanges EN 1092-1:2001 PN 6, 10, 16, 25 and ANSI 150 RF

APPLICATIONS



MARINE AND
OFFSHORE
INDUSTRY



PETROCHEMICAL
INDUSTRY



CHEMICAL
INDUSTRY



WATER
INDUSTRY

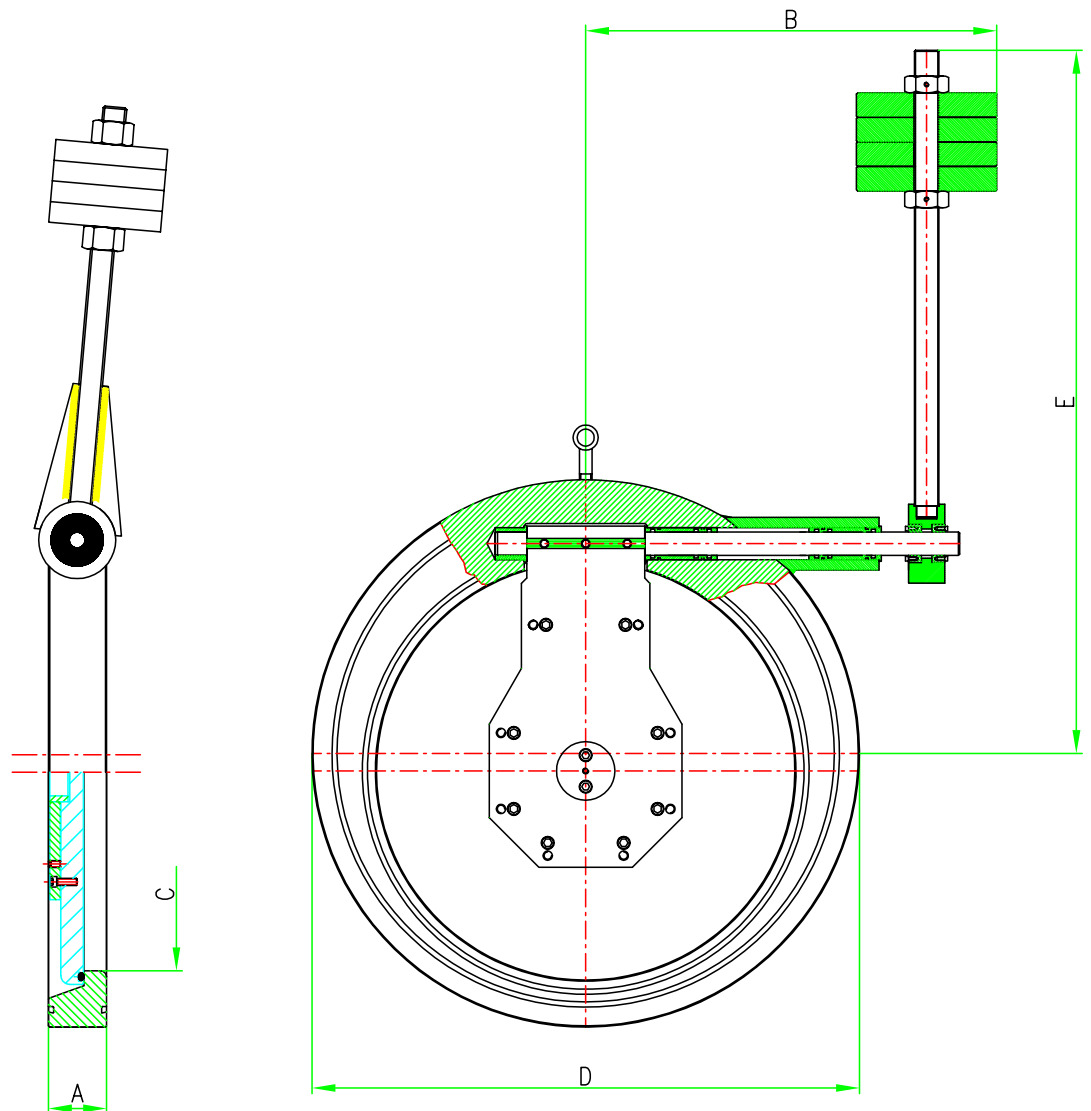
WORKING PRESSURE

PN 6	6 Kg/cm ²	85 Psi
PN 10	10 Kg/cm ²	142 Psi
PN 16	16 Kg/cm ²	227 Psi
PN 25	25 Kg/cm ²	355 Psi
ANSI 150	20 Kg/cm ²	284 Psi

**MINIMUM
OPENING PRESSURE
(mbar)**

The main characteristic of this valve is the regulation of the opening pressure which can be set considering the working conditions of the valve itself.

TECHNICAL DRAWINGS

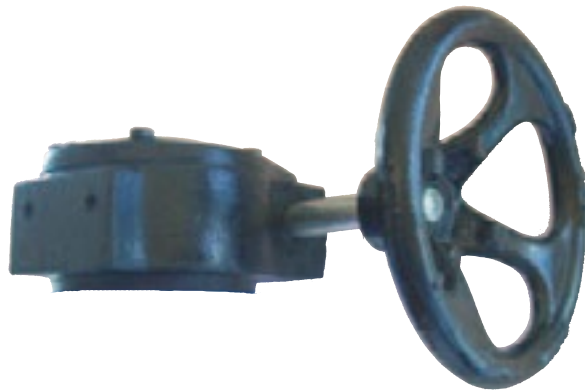


DIMENSIONS

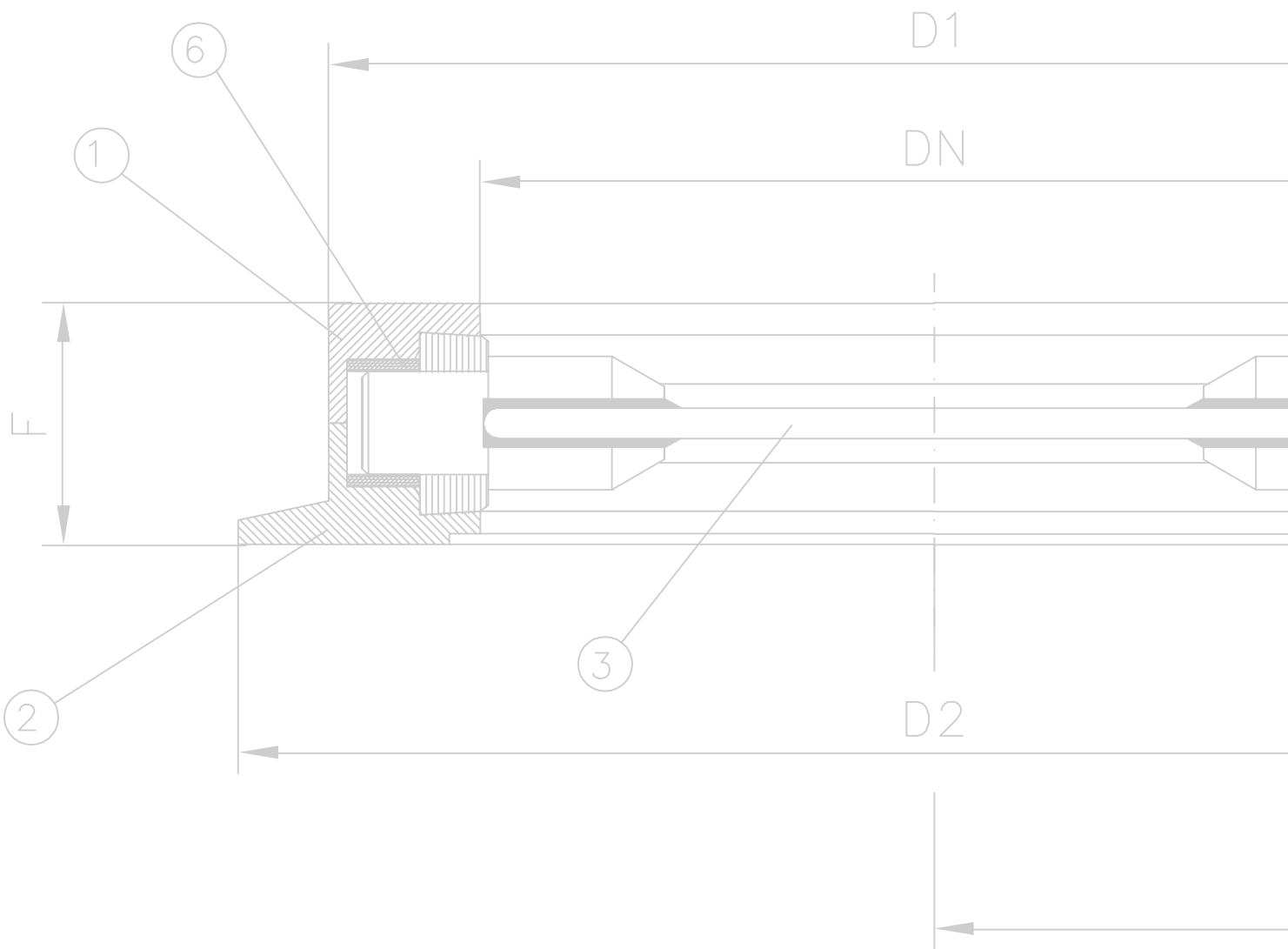
DN		A	B	C	E	D	D	D	D	D
mm	inch					PN6	PN10	PN16	PN25	ANSI 150
300	12"	48	390	240	510	375	380	387	403	410
350	14"	53	410	270	590	425	440	448	460	448
400	16"	58	460	310	615	475	490	495	514	514
450	18"	67	500	360	700	530	540	557	567	548
500	20"	72	530	405	800	580	595	617	624	605
600	24"	82	605	486	1050	680	695	734	731	715
700	28"	90	630	580	1155	785	810	805	833	830*
800	32"	98	700	670	1210	890	917	911	942	937*

* SUITABLE FOR FLANGES MSS SP-44 150 lbs

CONTROL'S SYSTEM




WHITE LINE




[Back to summary](#)

BUTTERFLY VALVES

SERIES BV/BVT

 WHITE LINE
pharmaceutical
industry



 In compliance with PED 97/23/EC - ATEX upon request

TECHNICAL DETAILS

Alimentary silicon seat, EPDM seat or PTFE shell with internal silicon seat or EPDM seat

SS 316L body and disc

Easy to install

Easy to clean

Standard series DN 100 – DN 400

Standard finishing: internal mirror polished ($Ra < 0,1$), external satin finish ($Ra < 0,8$)

Other finishing: electro-polished or upon request

Wide range of accessories

All valves can be equipped with pneumatic actuators, proximity limit switches and solenoid valves

Components of Silicon and EPDM valves are not interchangeable with those in PTFE

APPLICATIONS



PHARMACEUTICAL
INDUSTRY



FOOD
INDUSTRY



COSMETIC
INDUSTRY



INTERCEPTION OF POWDERS
PASTES AND LIQUIDS

TORQUE (Nm)

DN	100	150	200	250	300	350	400
TORQUE Silicon seat Nm	20	31	80	110	130	160	185
TORQUE PTFE seat Nm	40	40	75	65	150	175	190

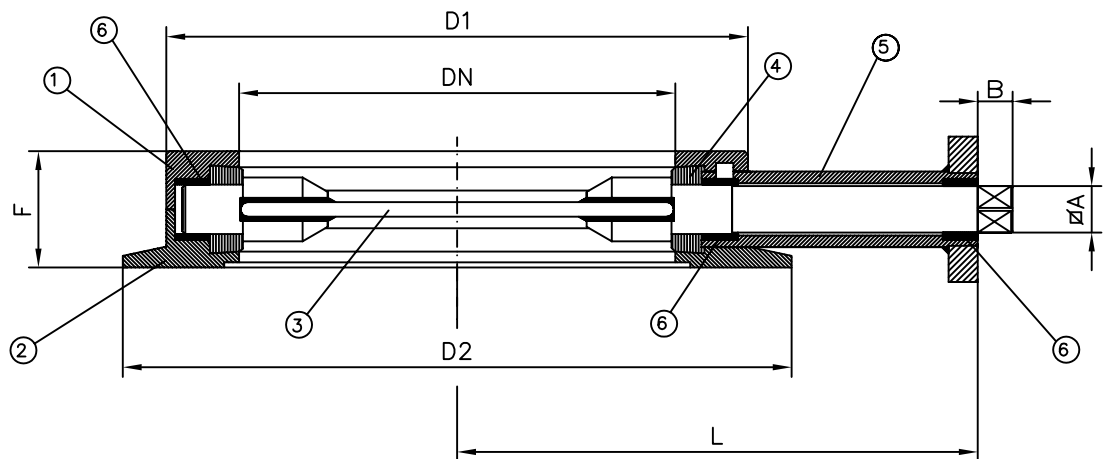
TOP FLANGE FOR ACTUATOR

DN	100	150	200	250	300	350	400
ISO 5211 Standard	F05	F05	F05	F05	F07	F10	F10

MATERIALS

DESCRIPTION	MATERIAL	NR
UPPER FLANGE	EN 1.4404/ 316L	1
LOWER FLANGE	EN 1.4404/ 316L	1
DISC	EN 1.4404 / 316L	1
SEAT	SILICON FDA 177.2600 P.T.F.E.	1
SUPPORT	EN 1.4403 / 304	1
BUSHINGS	P.T.F.E.	3

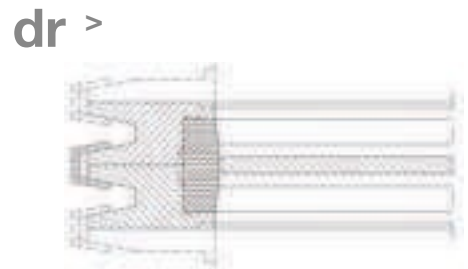
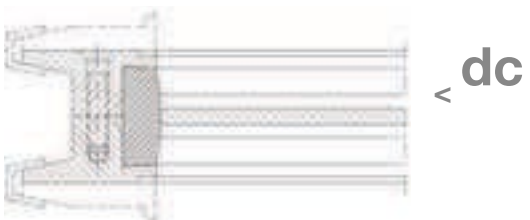
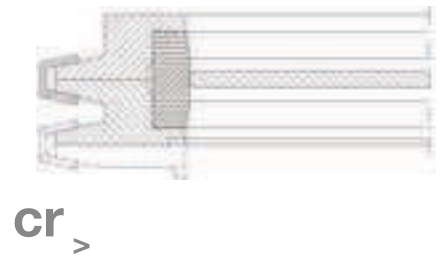
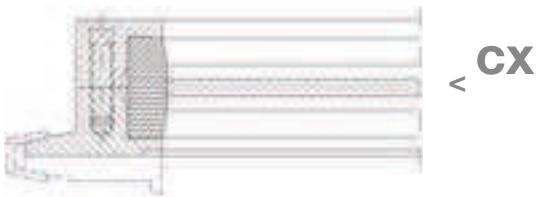
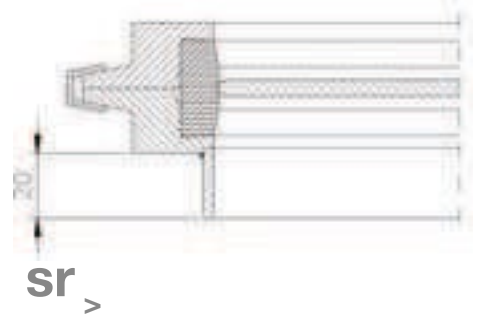
**TECHNICAL DRAWINGS
BV SERIES**



DIMENSIONS

DN		D1	D2	F	L	A	B
mm	inch						
100	4"	150	180	36	131	11x11	16
150	6"	200	230	40	177	11x11	16
200	8"	250	280	40	202	11x11	16
250	10"	300	330	44	227	14x14	16
300	12"	350	380	46	254	17x17	19
350	14"	400	430	46	291	22x22	24
400	16"	450	500	50	316	22x22	24

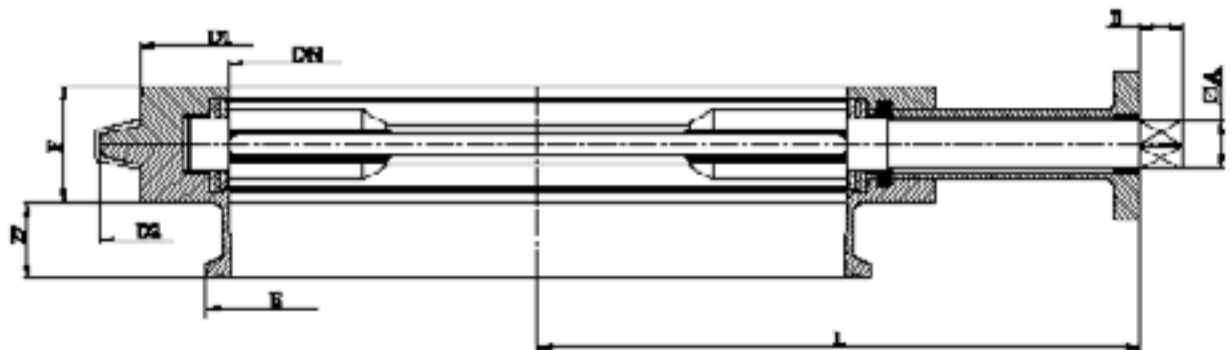
TECHNICAL DRAWINGS
BV SERIES



MATERIALS

DESCRIPTION	MATERIAL	NR
UPPER FLANGE	EN 1.4404/316L	1
LOWER FLANGE	EN 1.4404/316L	1
DISC	EN 1.4404/316L	1
SEAT	SILICON FDA 177.2600 P.T.F.E.	1
SUPPORT	EN 1.4403/304	1
BUSHINGS	P.T.F.E.	3

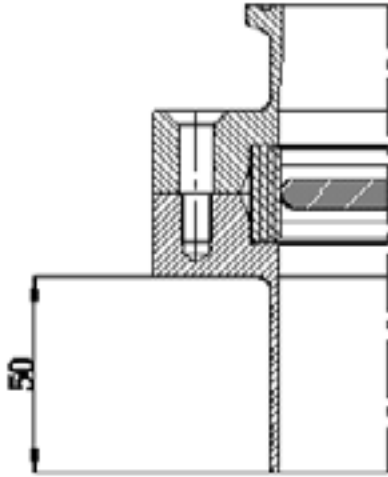
**TECHNICAL DRAWINGS
SERIES BVT**



DIMENSIONS

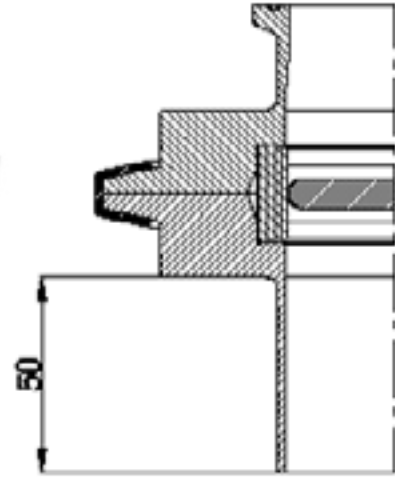
DN		D1	D2	A	B	E	F	L
mm	inch							
100	4"	150	180	11x11	16	119	36	131
150	6"	200	230	11x11	16	167	40	177
200	8"	250	280	11x11	16	217.7	40	202
250	10"	300	330	14x14	16	268.5	44	227
300	12"	350	380	17x17	19	319.3	46	254
350	14"	400	430	22x22	24		46	291
400	16"	450	500	22x22	24		50	316

TECHNICAL DRAWINGS
SERIES BVT



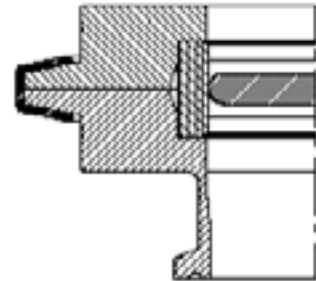
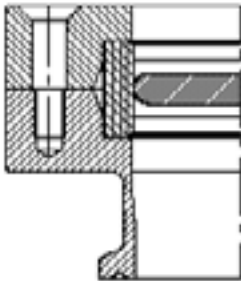
CXTW

CRTW



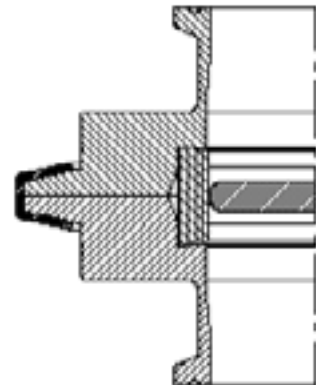
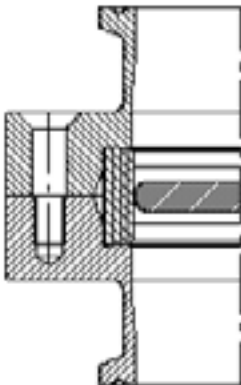
CXT

CRT



DCT

DRT

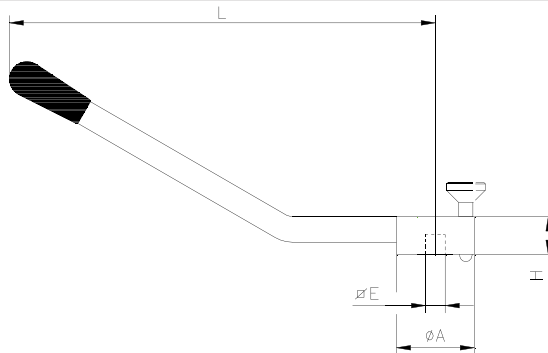


CONTROL'S SYSTEM

HANDLE IN AISI 304



TECHNICAL DRAWINGS




DIMENSIONS


DN		A	E	H	L
mm	inch				
100	4"	50	11x11	24	240
150	6"	50	11x11	24	365
200	8"	50	11x11	24	365
250	10"	50	14x14	24	365
300	12"	50	17x17	24	395

BUTTERFLY VALVES

SERIES BR/BRT

 WHITE LINE
pharmaceutical
industry



 In compliance with PED 97/23/EC

TECHNICAL DETAILS

Alimentary silicon seat, EPDM seat or PTFE shell with internal silicon or EPDM seat

SS 316L body and disc

Easy to install

Easy to clean

Standard series DN 100 – DN 400

Standard finishing: internal mirror polished ($Ra < 0,1$), external satin finish ($Ra < 0,8$)

Other finishing : electro-polished or upon request

Wide range of accessories

All valves can be equipped with pneumatic actuators, proximity limit switches and solenoid valves

Components of Silicon and EPDM valves are not interchangeable with those in PTFE

APPLICATIONS



PHARMACEUTICAL
INDUSTRY



FOOD
INDUSTRY



COSMETIC
INDUSTRY



INTERCEPTION OF POWDERS
PASTES AND LIQUIDS

TORQUE (Nm)

DN	100	150	200	250	300	350	400
TORQUE Silicon Seat Nm	30	45	50	100	160	185	200
TORQUE PTFE Seat Nm	40	50	95	120	175	200	220

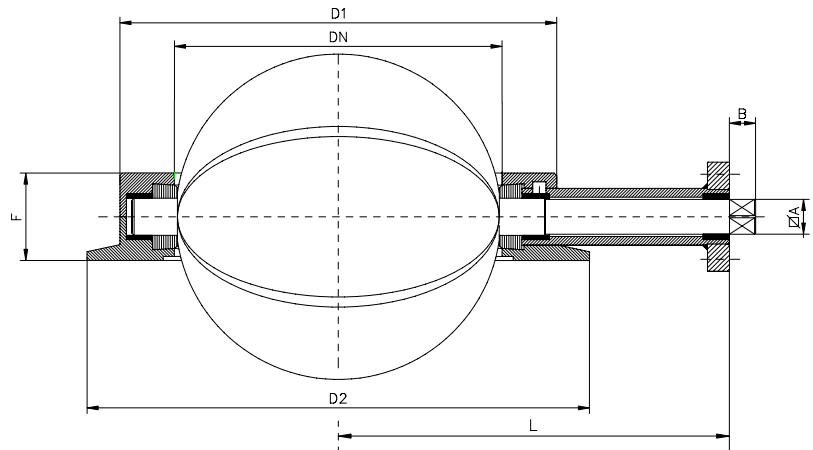
TOP FLANGE FOR ACTUATOR

DN	100	150	200	250	300	350	400
ISO 5211 Standard	F05	F05	F05	F05	F07	F10	F10

MATERIALS

DESCRIPTION	MATERIAL	NR
UPPER FLANGE	EN 1.4404/316L	1
LOER FLANGE	EN 1.4404/316L	1
DISC	EN 1.4404/316L	1
SEAT	SILICON FDA 177.2600 P.T.F.E.	1
SUPPORT	EN 1.4403/304	1
BUSHINGS	P.T.F.E.	3

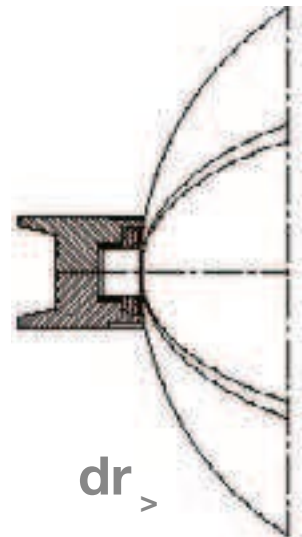
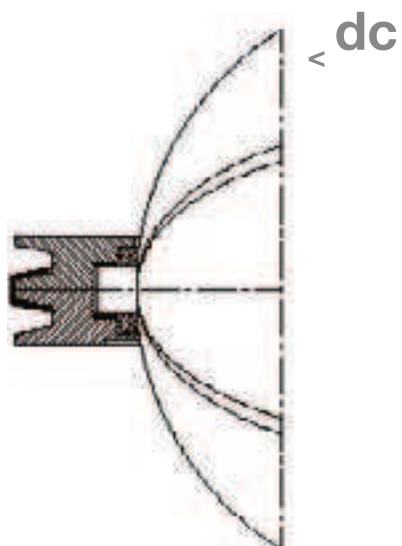
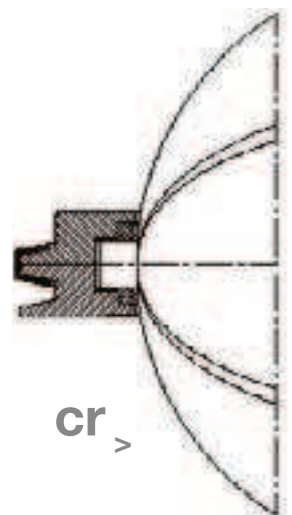
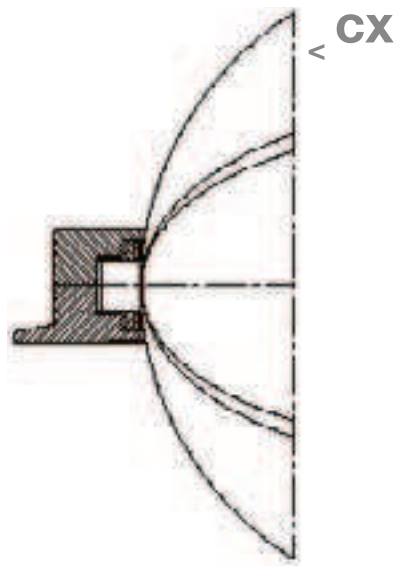
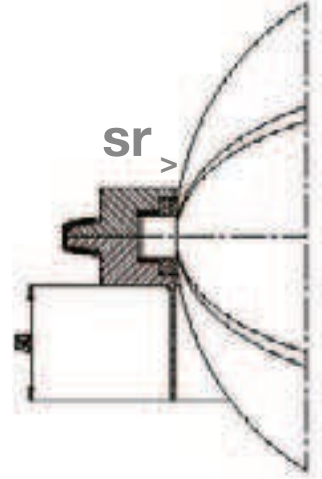
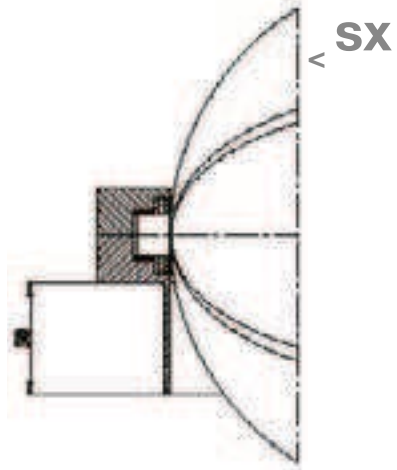
TECHNICAL DRAWINGS SERIES BV



DIMENSIONS

DN	D1	D2	F	L	A	B	
mm	inch						
100	4"	150	180	36	131	11x11	16
150	6"	200	230	40	177	11x11	16
200	8"	250	280	40	202	11x11	16
250	10"	300	330	44	227	14x14	16
300	12"	350	380	46	254	17x17	19
350	14"	400	430	46	291	22x22	24
400	16"	450	500	50	316	22x22	24

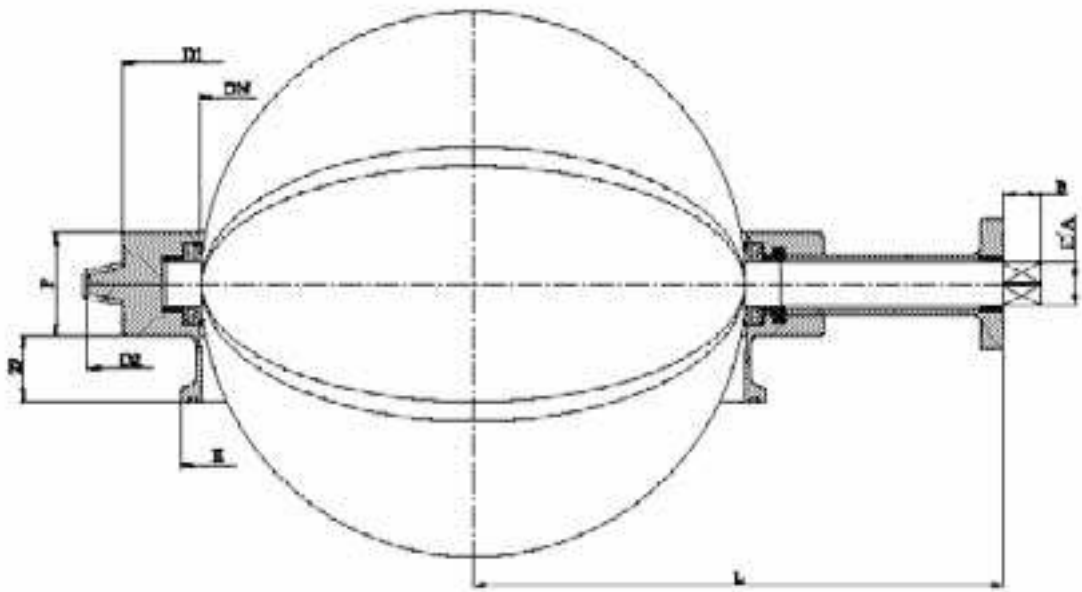
TECHNICAL DRAWINGS
SERIES BR



SERIES BRT

DESCRIPTION	MATERIAL	NR
UPPER FLANGE	EN 1.4404/316L	1
LOWER FLANGE	EN 1.4404/316L	1
DISC	EN 1.4404/316L	1
SEAT	SILICONE FDA 177.2600 P.T.F.E.	1
SUPPORT	EN 1.4403/304	1
BUSHINGS	P.T.F.E.	3

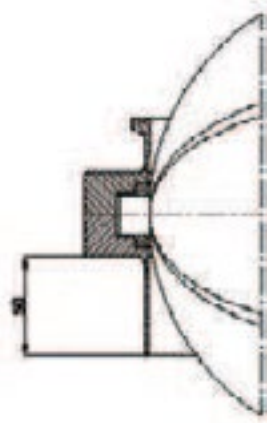
**TECHNICAL DRAWINGS
SERIES BRT**



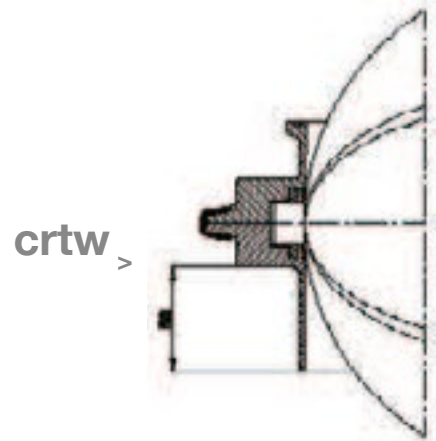
DIMENSIONS

DN		D1	D2	A	B	E	F	L
mm	inch							
100	4"	150	180	11x11	16	119	36	131
150	6"	200	230	11x11	16	167	40	177
200	8"	250	280	11x11	16	217.7	40	202
250	10"	300	330	14x14	16	268.5	44	227
300	12"	350	380	17x17	19	319.3	46	254
350	14"	400	430	22x22	24		46	291
400	16"	450	500	22x22	24		50	316

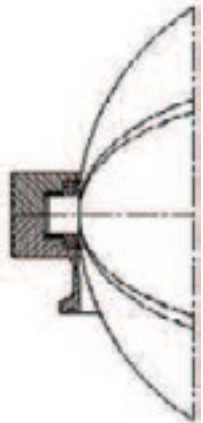
TECHNICAL DRAWINGS
SERIES BRT



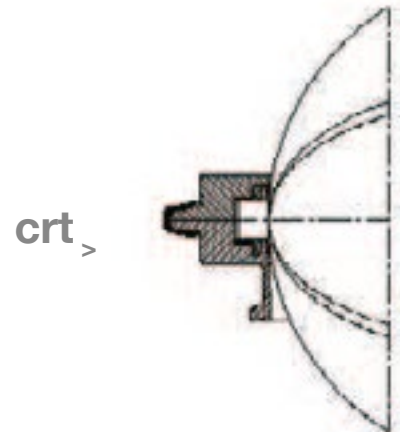
< **cxtw**



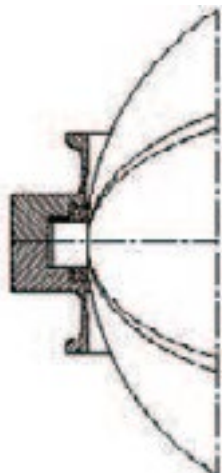
crtw >



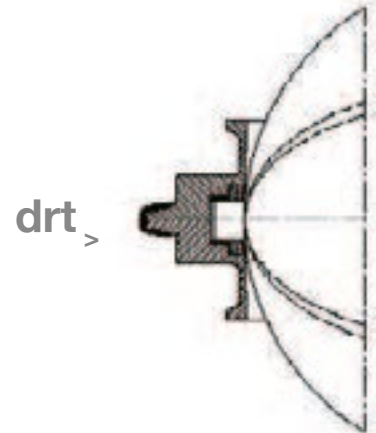
< **cxt**



crt >



< **dct**

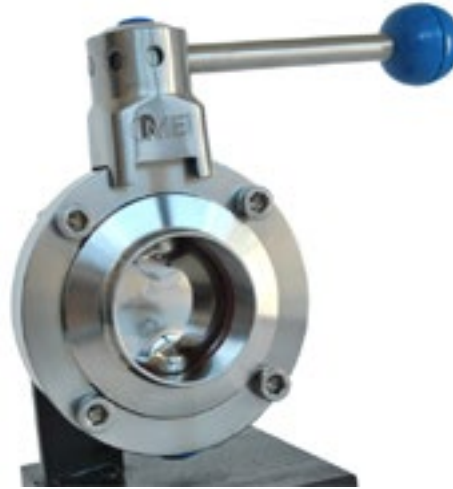


drt >

BUTTERFLY VALVES

SERIES BVs

WHITE LINE
pharmaceutical
industry



CE In compliance with PED 97/23/EC - ATEX upon request

TECHNICAL DETAILS

- Food grade red silicon seat
- Standard Executions welding ends
- Flanged ends, special connection upon request
- Suitable for actuator
- PTFE seat upon request

APPLICATIONS



PHARMACEUTICAL
INDUSTRY



FOOD
INDUSTRY



WINE
INDUSTRY



COSMETIC
INDUSTRY



INTERCEPTION OF POWDERS
PASTES AND LIQUIDS

TORQUE (Nm)

DN	25	32	40	50	65	80
TORQUE Nm	8	10	10	14	18	20

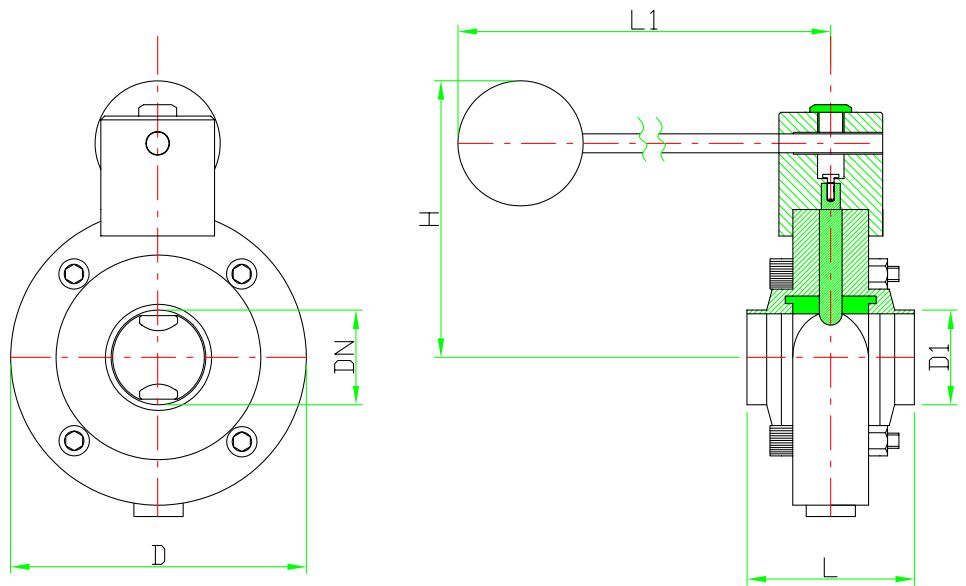
TOP FLANGE FOR ACTUATOR

DN	25	32	40	50	65	80
ISO 5211 Standard	F05	F05	F05	F05	F05	F05

MATERIALS

DESCRIPTION	MATERIAL	NR
UPPER FLANGE	EN 1.4404/316L	1
LOWER FLANGE	EN 1.4404/316L	1
DISC	EN 1.4404/316L	1
SEAT	FDA RED SILICON 177.2600	1

TECHNICAL DRAWINGS



DIMENSIONS

DN		D1	D	L	L1	H
mm	inch					
25	1"	28	78	50	126	86
32	1"1/4	34	86	50	126	90
40	1"1/2	40	90	50	126	92
50	2"	52	106	52	133	104
65	2"1/2	70	124	56	144	113
80	3"	85	139	60	160	123,5

ACCESSORIES

CLAMP SS304

TECHNICAL DRAWINGS



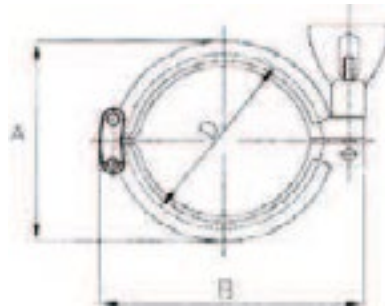
DIMENSIONS

DN			
mm	inch	Øi	C
100	4"	190	2
150	6"	240	2
200	8"	290	2
250	10"	340	2
300	12"	390	2
350	14"	440	2
400	16"	510	2

ACCESSORI

TRI-CLAMP SS304

TECHNICAL DRAWINGS



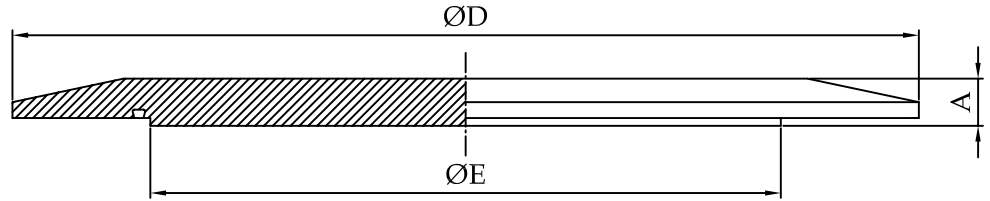
DIMENSIONS

DN		A	B	D
mm	inch			
100	4"	134	156	122
150	6"	185	216	171
200	8"	235	270	220
250	10"	285	325	273
300	12"	340	380	324

ACCESSORIES

CAP C

TECHNICAL DRAWINGS



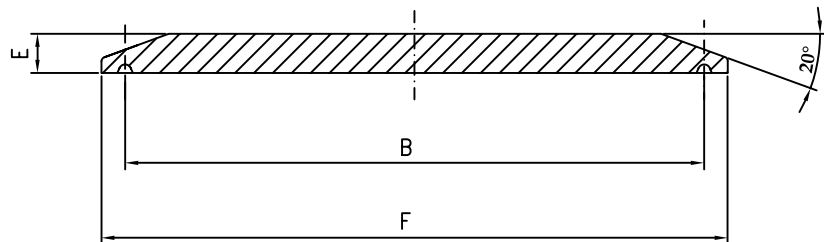
DIMENSIONS

DN		A	D	E
mm	inch			
100	4"	12	180	110
150	6"	12	230	160
200	8"	12	280	210
250	10"	12	330	260
300	12"	12	380	315
350	14"	14	430	365
400	16"	14	500	421

ACCESSORIES

CAP TC

TECHNICAL DRAWINGS

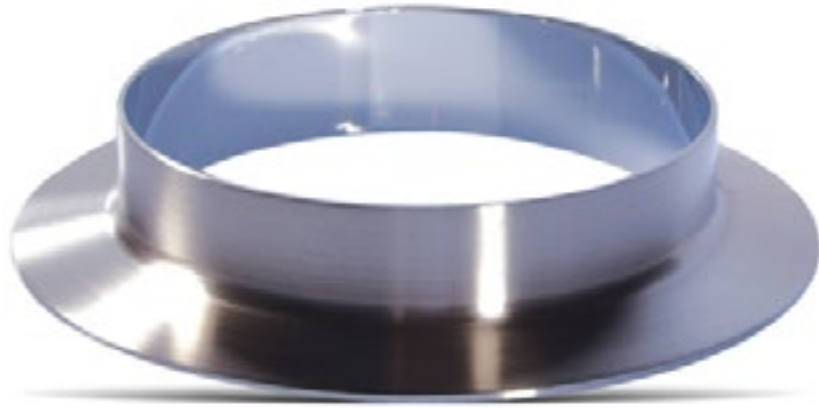


DIMENSIONS

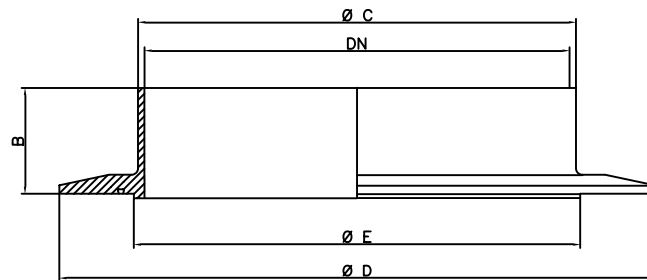
DN		B	E	F
mm	inch			
100	4"	110,0	10	119,0
150	6"	155,5	10	167,0
200	8"	207,4	10	217,7
250	10"	258,0	10	268,5
300	12"	309,0	10	319,3

ACCESSORIES

COLLAR CW



TECHNICAL DRAWINGS



DIMENSIONS

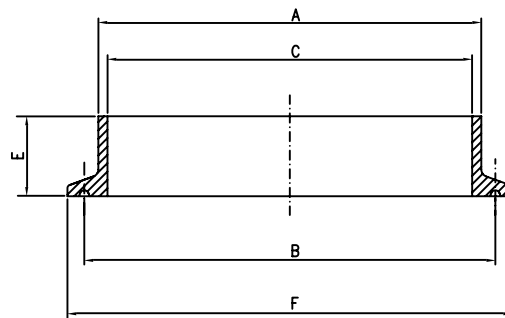
DN		B	C	D	E
mm	inch				
100	4"	50	106	180	110
150	6"	50	156	230	160
200	8"	50	206	280	210
250	10"	50	256	330	260
300	12"	50	306	380	310

ACCESSORIES

COLLAR TC



TECHNICAL DRAWINGS



DIMENSIONS

DN		A	B	C	E	E
mm	inch					
100	4"	102,5	110,0	97,6	28	119,0
150	6"	152,4	155,5	148,0	28	167,0
200	8"	203,2	207,4	197,6	28	217,7
250	10"	254,0	258,0	247,9	28	268,5
300	12"	304,8	309,0	298,0	28	319,3

GREEN LINE

[Back to summary](#)

BUTTERFLY VALVES

SERIES CH

 **GREEN LINE**
chemical & food
industry



CE In compliance with PED 97/23/EC - ATEX upon request

TECHNICAL DETAILS

Wafer design

Easy to install

Materials: AISI 316L

Transparent silicon seat, EPDM seat, or PTFE shell with internal silicon or EPDM seat with internal silicon seat

Standard series DN 100 ÷ DN 500

suitable for flanges UNI PN 10

machine finish

5 positions hand lever in composite material, isolating and resistant to corrosion material

Favourable quality/price

Components of Silicon and EPDM valves are not interchangeable with those in PTFE

APPLICATIONS



CHEMICAL
INDUSTRY

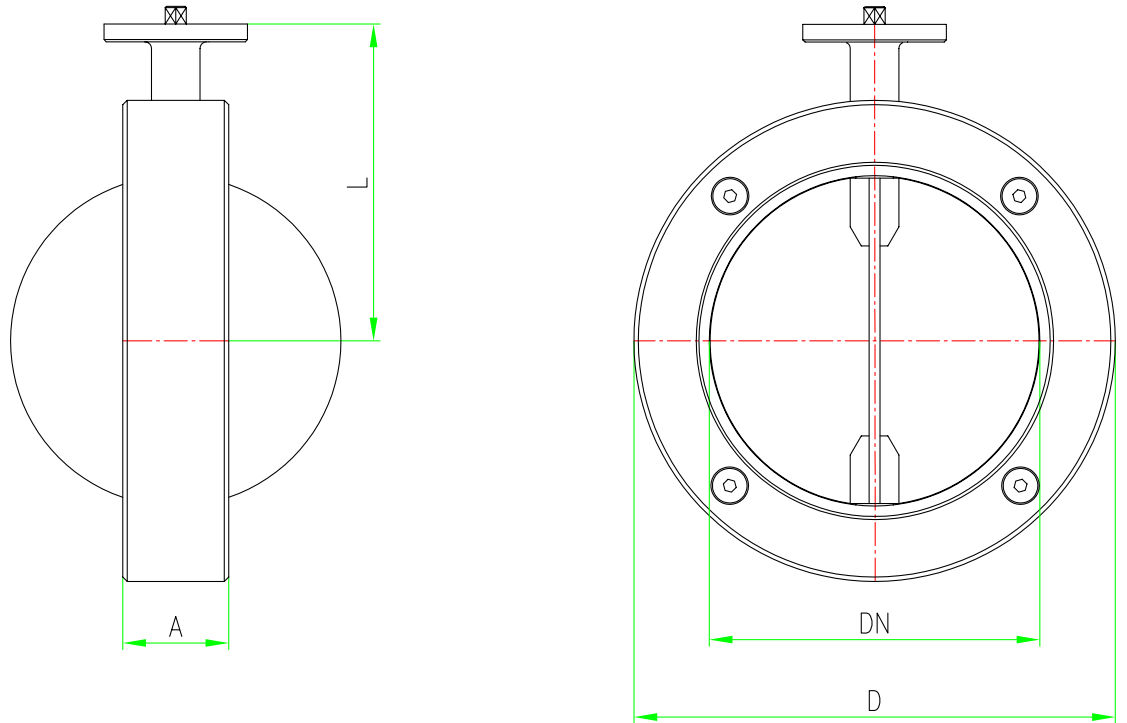


FOOD
INDUSTRY



WINE
INDUSTRY

TECHNICAL DRAWINGS



DIMENSIONS

DN		A	L	D
mm	inch			PN10
100	4"	36	131	164
150	6"	40	177	220
200	8"	40	202	275
250	10"	44	227	330
300	12"	46	254	380
350	14"	46	291	440
400	16"	50	316	490
500	20"	64	370	595

SIGHT GLASSES

SERIES W

 GREEN LINE
chemical & food
industry



CE In compliance with PED 97/23/EC - ATEX upon request

TECHNICAL DETAILS

Mount solder

Standard series from DN 50 up to DN 200

TOUGHENED SODALIME disc, BOROSILICATE upon request

Circular sight glasses suitable for tanks and pipelines

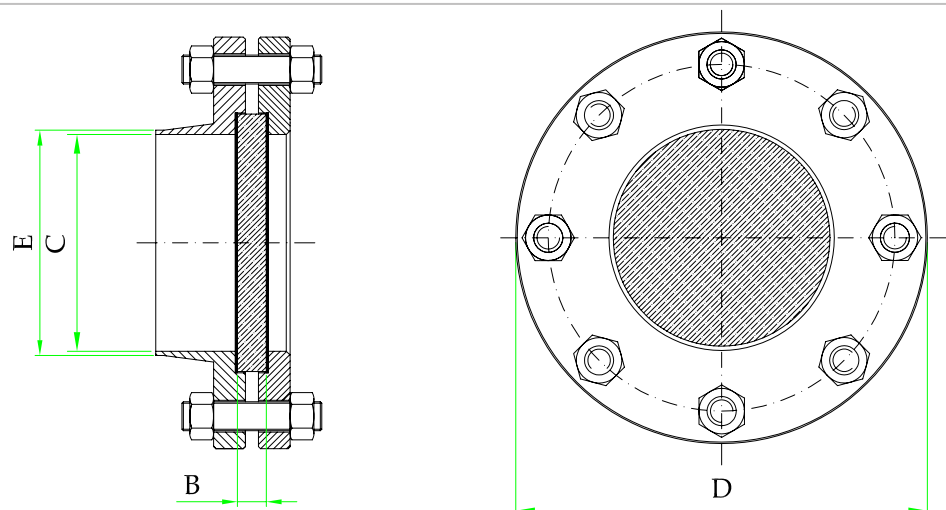
Body in AISI 316L, seat in P.T.F.E.

Completely demountable

Tested glasses in conformity to I.S.P.E.S.L. upon request

T° Max :
soda-lime 130°C
borosilicate 250°C

TECHNICAL DRAWINGS



DIMENSIONS

	DN		B	C	D	E	N° FORI
	mm	inch					
	50	2"	12	61.5	165	58	4
	65	2 ¹ / ₂ "	15	77.5	185	77	4
	80	3"	15	90.5	200	90	4
	100	4"	15	116	220	109	8
	125	5"	19	141.5	250	134	8
	150	6"	25	170.5	285	161	8
	200	8"	25	221.5	340	221	8

SIGHT GLASSES

SERIES S

GREEN LINE
chemical & food
industry

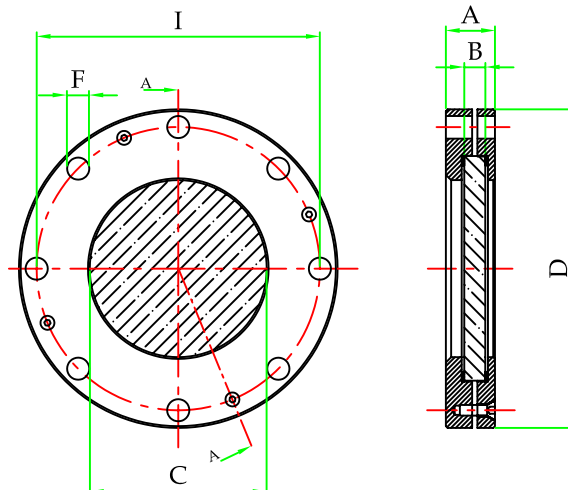


CE In compliance with PED 97/23/EC - ATEX upon request

TECHNICAL DETAILS

Bolted to a pipe flange through stud bolts
Standard series from DN 50 UP to DN 200
TOUGHENED SODALIME disc, BOROSILICATE upon request
Circular sight glasses for tanks and pipes
Body in AISI 316L , seat in P.T.F.E.
Completely demountable
Tested glasses in conformity to I.S.P.E.S.L. upon request
T° Max :
soda-lime 130°C
borosilicate 250°C

TECHNICAL DRAWINGS



DIMENSIONS

	DN	A	B	C	D	F	I	N° FORI
	mm							
	inch							
	50	39	12	61.5	165	18	125	4
	65	39	15	77.5	185	18	145	4
	80	43	15	90.5	200	18	160	4
	100	47	15	116	220	18	180	8
	125	51	19	141.5	250	18	210	8
	150	51	25	170.5	285	22	240	8
	200	55	25	221.5	340	22	295	8

SIGHT GLASSES

SERIES R

 GREEN LINE
chemical & food
industry



CE In compliance with PED 97/23/EC - ATEX upon request

TECHNICAL DETAILS

Mount solder

Standard series from D 85 UP TO D 400

TOUGHENED SODALIME disc, BOROSILICATE upon request

Rectangular sight glasses suitable for tanks and pipelines

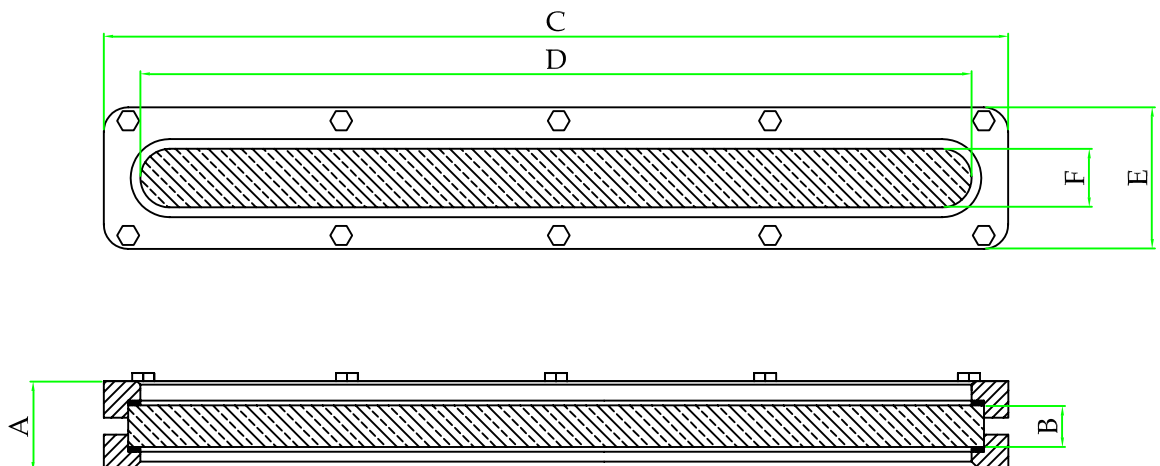
Body in AISI 316L , seat in P.T.F.E.

Completely demountable

Tested glasses in conformity to I.S.P.E.S.L. upon request

T° Max :
soda-lime 130°C
borosilicate 250°C

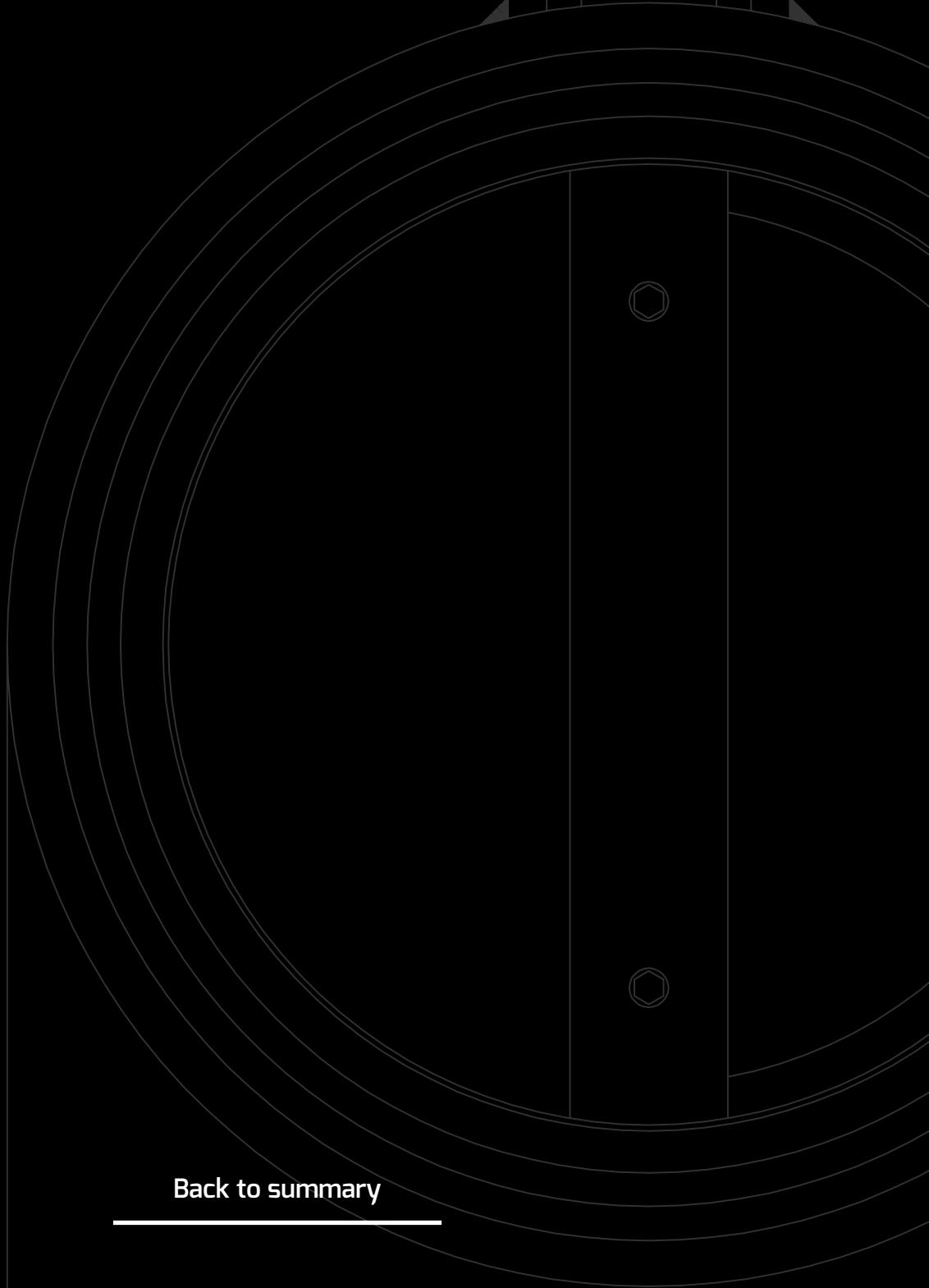
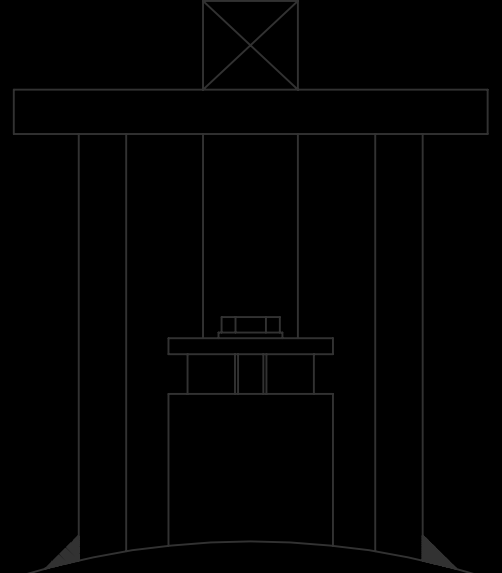
TECHNICAL DRAWINGS



DIMENSIONS

D	A	B	C	E	F
85	31	17	115	60	24
130	31	17	160	60	24
180	31	17	210	60	24
240	31	17	270	60	24
310	31	17	340	60	24
360	31	17	390	60	24
400	31	17	430	60	24


BLACK LINE



[Back to summary](#)

BUTTERFLY VALVES

SERIES DVO DV2 DN50 - DN300

 **BLACK LINE**
for fumes and high
temperatures



In case a low leakage is allowed
The color of coating is demonstrative; it can change upon the working temperature

TECHNICAL DETAILS

Metal/metal butterfly valves for fumes and air

Tightness class III according to ANSI B 6.104

Low pressure drops

Maintenance operations are limited to the traditional packing of the stem with an adjustable stubbing box

Standard series DN 50 – DN 300

Suitable for flanges EN 1092-1:2001 PN 6, PN 10, PN 16, ANSI 150 RF

Materials zinc plated carbon steel, S5316

Max temperature 200°C

Shaft seat: P.T.F.E. o graphite plate

Top flange according to ISO 5211

APPLICATIONS



FUMES AND HIGH
TEMPERATURES

TORQUE (Nm)

SERIES	PRESSURE (BAR)	1	2	3
DN 50		4	5	10
DN 65		4	5	10
DN 80		4	5	10
DN 100		4	5	10
DN 125		5	8	16
DN 150		7	11	23
DN 200		14	25	49
DN 250		29	52	105
DN 300		39	72	144
DN 350		63	118	236
DN 400		79	151	302
DN 450		123	236	472
DN 500		146	282	564
DN 600		268	525	1049
DN 700		400	787	1574
DN 800		516	1017	2033
DN 900		632	1246	2492
DN 1000		632	2197	2394
DN 1200		1108	2853	4394
DN 1400		2227	4427	8853


**TOP FLANGE
FOR ACTUATOR
ACCORDING TO ISO 5211**

DN 50 F 05	DN 150 F 05	DN 400 F 10	DN 800 F 16
DN 65 F 05	DN 200 F 05	DN 450 F 10	DN 900 F 25
DN 80 F 05	DN 250 F 07	DN 500 F 10	DN 1000 F 25
DN 100 F 05	DN 300 F 07	DN 600 F 10	DN 1200 F 30
DN 125 F 05	DN 350 F 10	DN 700 F 10	DN 1400 F 30

Different flangings upon request

BUTTERFLY VALVES

SERIES DVO DV2 DN350 - DN900

 **BLACK LINE**
for fumes and high
temperatures



In case a low leakage is allowed
The color of coating is demonstrative; it can change upon the working temperature

TECHNICAL DETAILS

Metal/metal butterfly valves for fumes and air

Tightness class III according to ANSI B 6.104

Low pressure drops

Maintenance operations are limited to the traditional packing of the stem with an adjustable stubbing box

Standard series DN 350 – DN 900

Suitable for flanges EN 1092-1:2001 PN 6, PN 10, PN 16, ANSI 150 RF

Materials zinc plated carbon steel, S5316

Max temperature 200°C

Guaged and electro-welded body

Electro-welded disc with transverse reinforcements

Lower and upper shafts are fixed to the disc by pins

Shaft seat: P.T.F.E. or Graphite plate

Bronze shaft bushings

APPLICATIONS



FUMES AND HIGH
TEMPERATURES

TORQUE (Nm)

SERIES	PRESSURE (BAR)	1	2	3
DN 50		4	5	10
DN 65		4	5	10
DN 80		4	5	10
DN 100		4	5	10
DN 125		5	8	16
DN 150		7	11	23
DN 200		14	25	49
DN 250		29	52	105
DN 300		39	72	144
DN 350		63	118	236
DN 400		79	151	302
DN 450		123	236	472
DN 500		146	282	564
DN 600		268	525	1049
DN 700		400	787	1574
DN 800		516	1017	2033
DN 900		632	1246	2492
DN 1000		632	2197	2394
DN 1200		1108	2853	4394
DN 1400		2227	4427	8853


**TOP FLANGE
FOR ACTUATOR
ACCORDING TO ISO 5211**

DN 50 F 05	DN 150 F 05	DN 400 F 10	DN 800 F 16
DN 65 F 05	DN 200 F 05	DN 450 F 10	DN 900 F 25
DN 80 F 05	DN 250 F 07	DN 500 F 10	DN 1000 F 25
DN 100 F 05	DN 300 F 07	DN 600 F 10	DN 1200 F 30
DN 125 F 05	DN 350 F 10	DN 700 F 10	DN 1400 F 30

Different flangings upon request

BUTTERFLY VALVES

SERIES DV4 DN 50 – DN 300

 **BLACK LINE**
for fumes and high
temperatures



In case a low leakage is allowed
The color of coating is demonstrative; it can change upon the working temperature

TECHNICAL DETAILS

Metal/metal butterfly valves for fumes and air

Tightness class III according to ANSI B 16.104

Low pressure drops

Maintenance operations are limited to the traditional packing of the stem with an adjustable stubbing box

Standard series DN 50 – DN 300

Suitable for flanges EN 1092-1:2001 PN 6, PN 10, PN 16, ANSI 150 RF

Materials carbon steel, AISI 316L, AISI 304

Max temperature 400°C

Shaft seat: P.T.F.E. o graphite plate

The shaft is connected to the disc by pins

Top flange secondo ISO 5211

APPLICATIONS



FUMES AND HIGH
TEMPERATURES

TORQUE (Nm)

SERIES	PRESSURE (BAR)	1	2	3
DN 50		4	5	10
DN 65		4	5	10
DN 80		4	5	10
DN 100		4	5	10
DN 125		5	8	16
DN 150		7	11	23
DN 200		14	25	49
DN 250		29	52	105
DN 300		39	72	144
DN 350		63	118	236
DN 400		79	151	302
DN 450		123	236	472
DN 500		146	282	564
DN 600		268	525	1049
DN 700		400	787	1574
DN 800		516	1017	2033
DN 900		632	1246	2492
DN 1000		632	2197	2394
DN 1200		1108	2853	4394
DN 1400		2227	4427	8853


**TOP FLANGE
FOR ACTUATOR
ACCORDING TO ISO 5211**

DN 50 F 05	DN 150 F 05	DN 400 F 10	DN 800 F 16
DN 65 F 05	DN 200 F 05	DN 450 F 10	DN 900 F 25
DN 80 F 05	DN 250 F 07	DN 500 F 10	DN 1000 F 25
DN 100 F 05	DN 300 F 07	DN 600 F 10	DN 1200 F 30
DN 125 F 05	DN 350 F 10	DN 700 F 10	DN 1400 F 30

Different flangings upon request

BUTTERFLY VALVES

SERIES DV4 DN 350 – DN 900

 **BLACK LINE**
for fumes and high
temperatures



In case a low leakage is allowed
The color of coating is demonstrative; it can change upon the working temperature

TECHNICAL DETAILS

Metal/metal butterfly valves for fumes and air

Tightness class III according to ANSI B 16.104

Low pressure drops

Maintenance operations are limited to the traditional packing of the stem with an adjustable stubbing box

Standard series DN 350 – DN 900

Suitable for flanges EN 1092-1:2001 PN 6, PN 10, PN 16, ANSI 150 RF

Materials carbonio steel, AISI 316 e AISI 304

Max temperature 400°C

Guaged and electro-welded body

The finned elements welded on the body allow the cooling of the upper shaft where seals are located

Electro-welded disc with transverse reinforcements

Lower and upper shafts are fixed to the disc by pins

Shaft seat: expanded graphite packing

Graphite bushing trees

APPLICATIONS



FUMES AND HIGH
TEMPERATURES

TORQUE (Nm)

SERIES	PRESSURE (BAR)	1	2	3
DN 50		4	5	10
DN 65		4	5	10
DN 80		4	5	10
DN 100		4	5	10
DN 125		5	8	16
DN 150		7	11	23
DN 200		14	25	49
DN 250		29	52	105
DN 300		39	72	144
DN 350		63	118	236
DN 400		79	151	302
DN 450		123	236	472
DN 500		146	282	564
DN 600		268	525	1049
DN 700		400	787	1574
DN 800		516	1017	2033
DN 900		632	1246	2492
DN 1000		632	2197	2394
DN 1200		1108	2853	4394
DN 1400		2227	4427	8853

**TOP FLANGE
FOR ACTUATOR
ACCORDING TO ISO 5211**

DN 50 F 05	DN 150 F 05	DN 400 F 10	DN 800 F 16
DN 65 F 05	DN 200 F 05	DN 450 F 10	DN 900 F 25
DN 80 F 05	DN 250 F 07	DN 500 F 10	DN 1000 F 25
DN 100 F 05	DN 300 F 07	DN 600 F 10	DN 1200 F 30
DN 125 F 05	DN 350 F 10	DN 700 F 10	DN 1400 F 30

Different flangings upon request



Via Stipeti, 56
55060 - Coselli (LU)

Tel. +39 0583 403265
Fax +39 0583 403138

www.meivalvole.it
info@meivalvole.it