

Draining, injecting



# BOTTOM OUTLET VALVE

# Three types of bottom valves

**Disc rising flush bottom valve**



**Disc lowering flush bottom valve**



**Piston bottom outlet valve**



## Applications

Our bottom outlet valves can be used whether for **draining, injecting or controlling** any type of fluids: liquids, powders, solids or gaz.

Widely adopted by the main **Chemical, Petrochemical, Plastic and Polymers worldwide actors**, we have been perpetually improving their design and manufacture for **more than thirty years**.

All our products are machined or welded-assembled and can be manufactured in **stainless steel or special alloys** (Duplex, Inconel, Hastelloy®, Titanium, Uranus, etc.)

The operating principle lies in a disc linear translation movement rising up to the tank or pipe.

Key advantages:

- Adapted for heavy, crystallizing, viscous products draining
- Disc design adapted to the internal vessel (non intrusive for agitator)
- Sealing metal-metal or metal-PTFE
- Internal body profile improving the flow

The operating principle lies in a disc linear translation movement lowering down into the valve.

Key advantages:

- Full bore draining
- Disc design adapted to the internal vessel (non intrusive for agitator)
- Sealing metal-metal or metal-PTFE
- Internal body profile improving the flow

The operating principle lies in a piston linear translation movement.

Key advantages:

- Full bore draining
- Three positions available: crust breaking, closed piston leveled to the nozzle and open (full bore)
- Disc design adapted to the internal vessel (non intrusive for agitator)
- Sealing metal-metal, PTFE or O' ring
- Internal body profile improving the flow

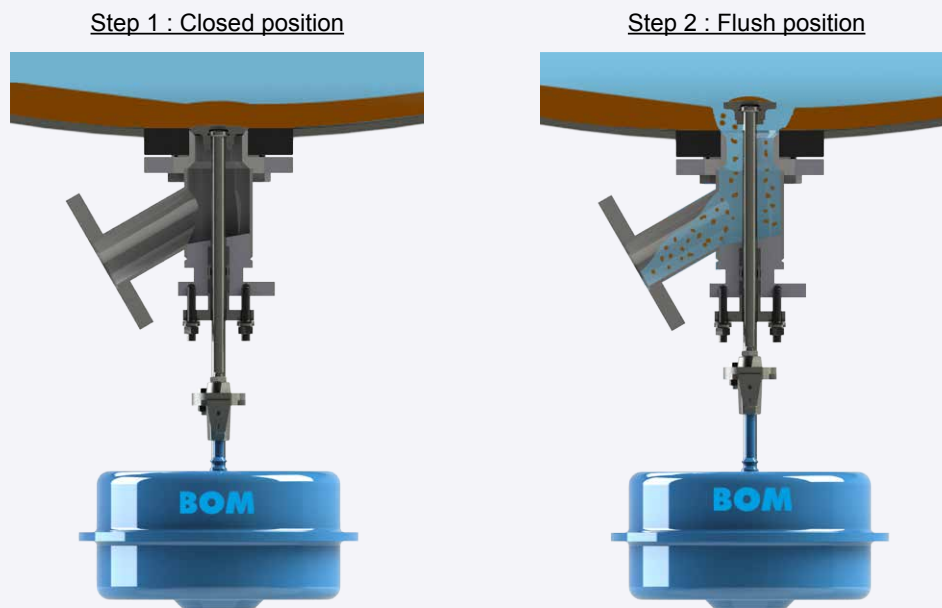
# THE CRUST BREAKING FLUSH BOTTOM VALVE

## Operating principle

The Crust Breaking Flush Bottom Valve is made to drain tank, vessels or pipeline containing media where solid materials or crystals can be formed at the exit point of the vessel.

As the disc opens into the vessel, automatic crust breaking takes place.

Sealing performance is improved by the disc rising valve design which takes benefit from the media flow and pressure.



## Key advantages

### BOM's features:

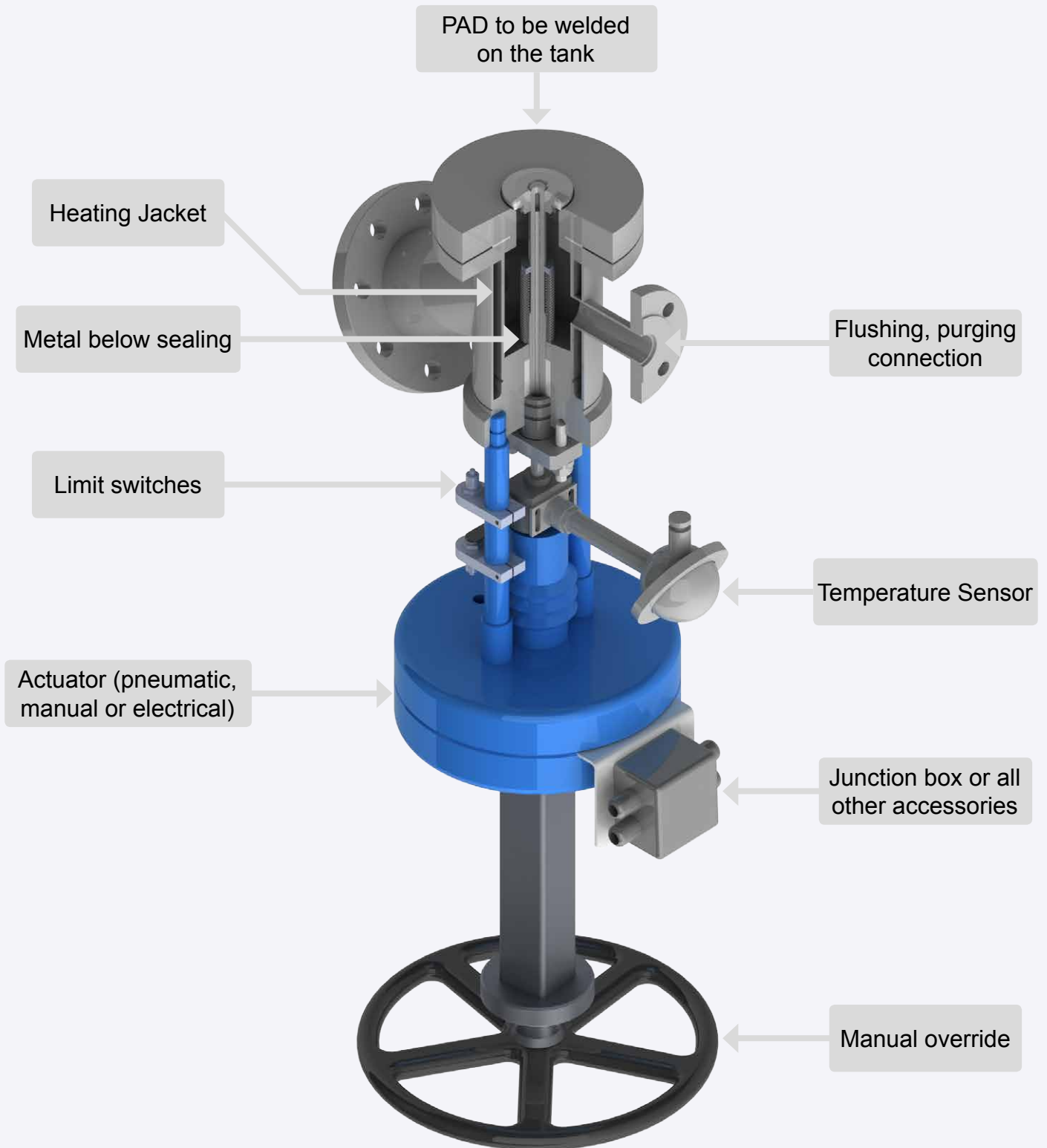
- **Inside vessel rising disc** : principle which allows to break the crust and drain the vessel
- **Articulated disc** : managing the best sealing when disc and seat come into contact
- **Non-rotating stem** : reducing wear gland packing
- **Suitable** to media containing solids or crystals
- **Fire-safe** and **ATEX** approved

### Customized flush bottom valves

- **Unlimited options** :
  - Heating jackets for crystallizing liquids
  - Nozzle for cleaning or draining body
  - Integrated temperature sensor
  - Disc and seat hard faced (stellite) or smooth (PTFE, Kel'F etc...)
  - All kind of actuators (electric, pneumatic, angular gearbox, manual override etc..)
- **Various materials** :
  - Hastelloy, Uranus, Titanium, Monel, Inconel, specific stainless steel...
  - PFA / Halar lined...
  - FDA packing and gasket approved...
- **Customized manufacturing** :
  - Possibility to adjust tank flange connection (PAD) already welded on the vessel
  - Customized dimension, outlet angle, quick manufacturing etc...

# AUTOMATED FLUSH BOTTOM VALVE

with manual override,  
heating jacket and temperature sensor



# They trust us



## Chemical Industry



## Pharmacy Industry



## Oil & Gas Industry



## Petrochemical Industry



## Nuclear Industry



## Food-processing Industry



## Turnkey Operators



## BOM Industrial Valves other range of products

Sampling valve

Polymer valve

Gate valve

Globe valve

Cryogenic valve

Ball, plug valve

Strainer, sight  
glass

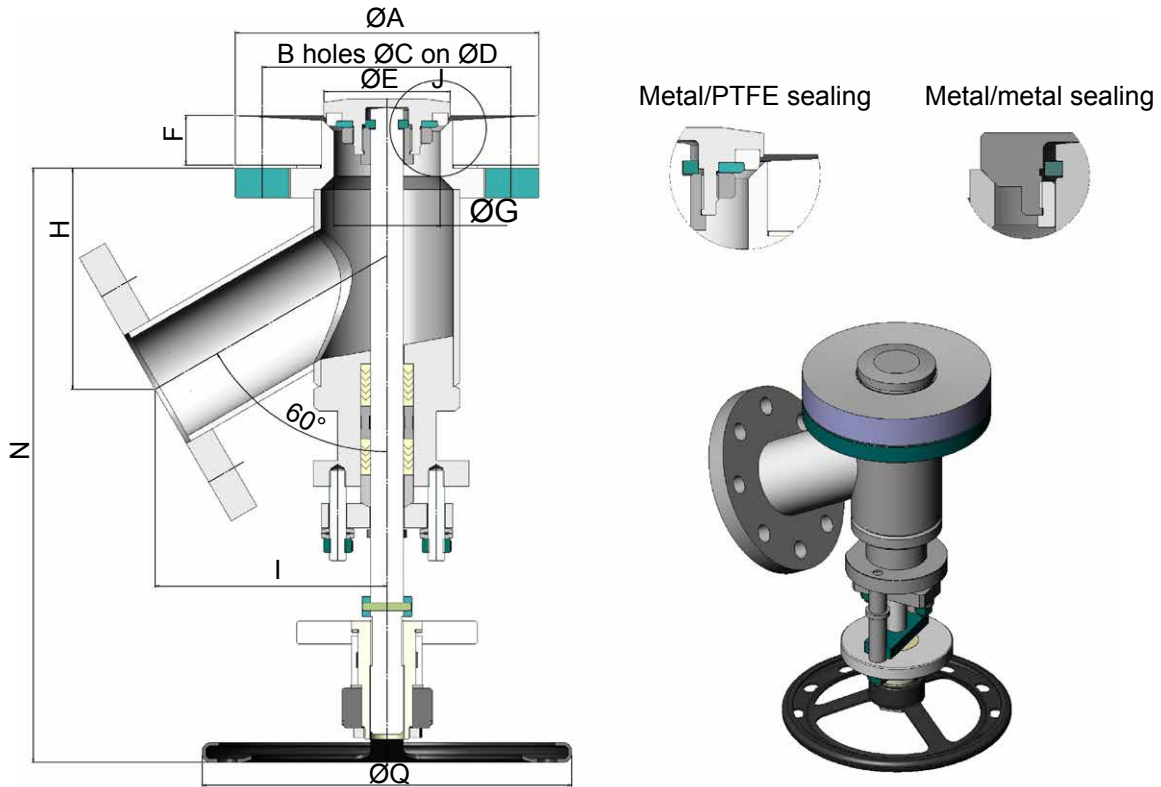
Check valve and  
other achievements

**TANK BOTTOM VALVE DN25 to DN300**  
**- Type 4000 manual -**

Description

- **Size** : DN25 to DN300.
- **Connection** : **Flange (PN10 - PN16 and PN20)**.
- **Discharge** : **60° outlet**, 75°, other on request.
- **Packing material** : PTFE, **25% glass PTFE rafter**, graphite, O-ring stuffing box.
- **Body seal material** : **25% glass PTFE**, graphite, spiral stainless steel/graphite.
- **Plug sealing** : **Metal/PTFE**, metal/metal, hard faced.
- **Wetted materials** : **1.4404 (316L)**, 1.4306 (304L), steel, nickel alloy (inconel, hastelloy, monel, nickel, zirconium...), 904L (uranus), 1.4571 (316Ti), titanium, tantalum.
- **Options** : Pneumatic (single or double acting) or electrical actuator, manual override, position indicator, mechanical limit switch, nitrogen insufflation / leakage detector in the stuffing box, cleaning nozzle.

Note: bold, standard parameters.

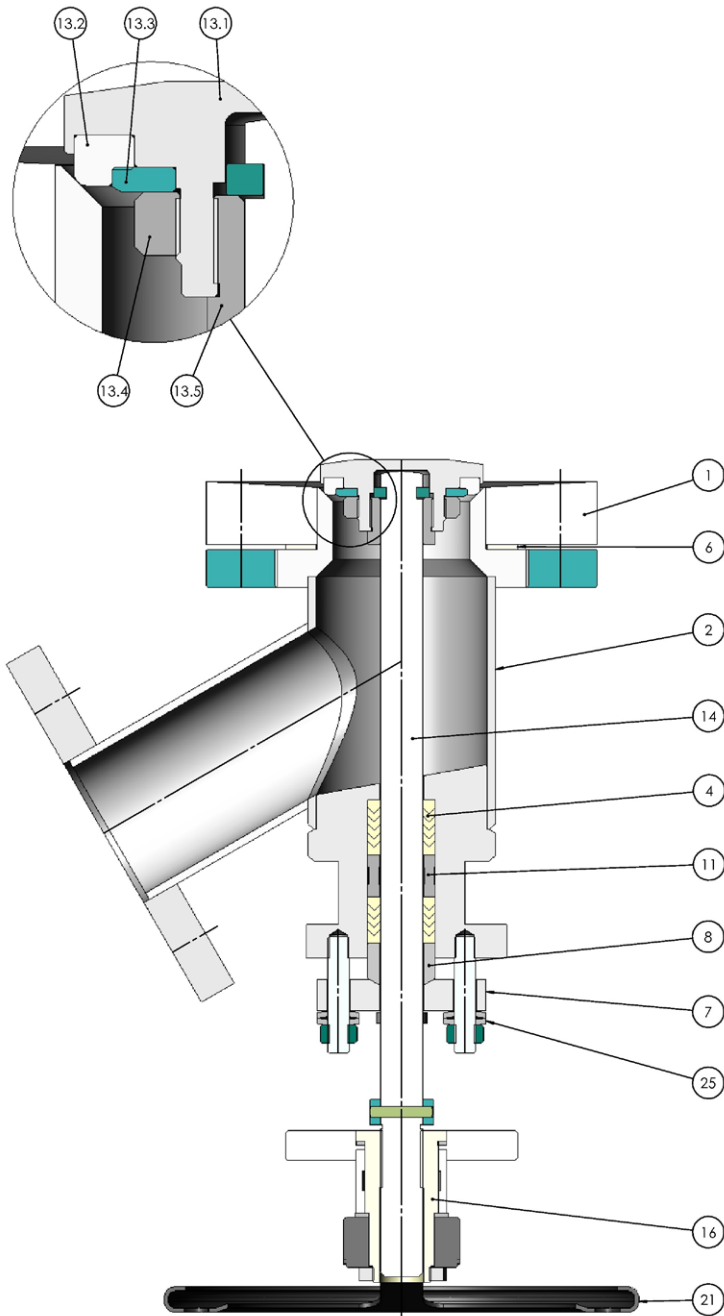


	<b>A</b>	<b>B x ØC</b>	<b>D</b>	<b>E</b>	<b>F</b>	<b>G</b>	<b>H</b>	<b>I</b>	<b>N</b>	<b>O</b>
<b>DN 25</b>	115	4 X Ø14	85	40	30	30	115	110	240	150
<b>DN 32</b>	140	4 X Ø18	100	52	30	40	115	110	260	150
<b>DN 40</b>	150	4 X Ø18	110	52	30	42	125	125	290	175
<b>DN 50</b>	165	4 x Ø18	125	65	32	52	125	130	330	175
<b>DN 65</b>	185	8 x Ø18	145	82	32	65	145	155	380	250
<b>DN 80</b>	200	8 x Ø18	160	95	32	83	170	155	430	250
<b>DN 100</b>	220	8 x Ø18	180	122	32	110	180	180	450	300
<b>DN 150</b>	285	8 x Ø22	240	160	40	155	300	210	590	300
<b>DN 200</b>	340	8 X Ø22	295	230	40	205	365	270	800	300
<b>DN 250</b>	395	12 x Ø22	350	280	50	255	*	*	*	450
<b>DN 300</b>	445	12 x Ø22	400	330	70	305	*	*	*	450

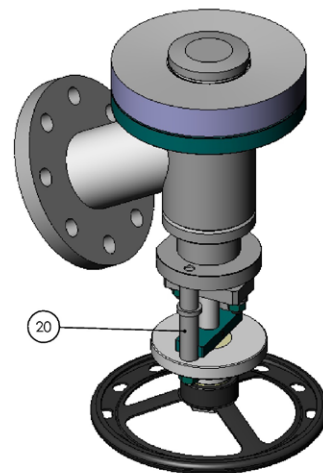
All other manufacturing are available on request

Non-contractual document

**TANK BOTTOM VALVE DN25 to DN300  
- Type 4000 manual -**



N°.	Description	Qty
1	PAD	1
2	Body	1
4	Packing	7
6	Body gasket	1
7	Gland flange	1
8	Gland	1
11	Lantern	1
13.1	Seat	1
13.2	Sealing disk	1
13.3	Plug disk	1
13.4	Holding nut	1
13.5	Valve nut	1
14	Stem	1
16	Yoke sleeve	1
20	Column	2
21	Wheel	1
25	Spring washer	4



Find out more about our tank bottom valves:  
<http://www.bom.fr/en/tank-bottom-valve>



**All other manufacturing are available on request**

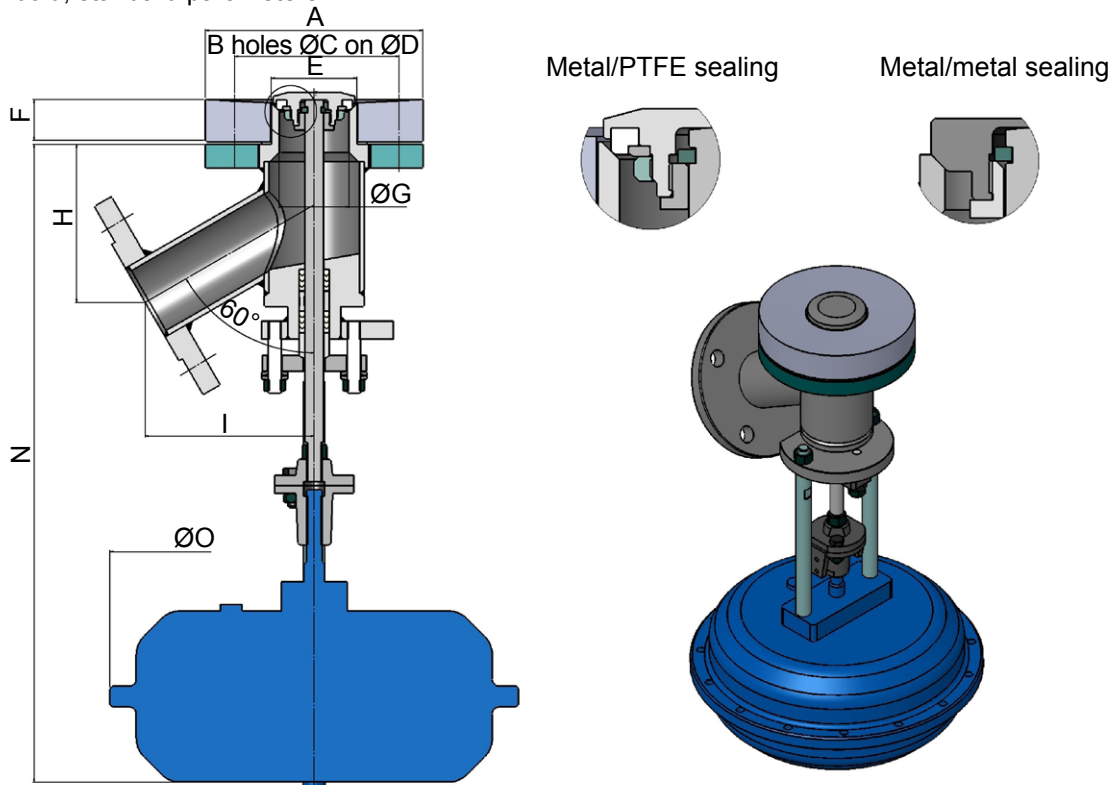
Non-contractual document

## TANK BOTTOM VALVE DN25 to DN300 - Type 4000 pneumatic -

### Description

- **Size** : DN25 to DN300.
- **Connection** : **Flange (PN10 - PN16 and PN20)**.
- **Discharge** : **60° outlet**, 75°, other on request.
- **Packing material** : PTFE, **25% glass PTFE rafter**, graphite, O-ring stuffing box.
- **Body seal material** : **25% glass PTFE**, graphite, spiral stainless steel/graphite.
- **Plug sealing** : **Metal/PTFE**, metal/metal, hard faced.
- **Wetted materials** : **1.4404 (316L)**, 1.4306 (304L), steel, nickel alloy (inconel, hastelloy, monel, nickel, zirconium...), 904L (uranus), 1.4571 (316Ti), titanium, tantalum.
- **Options** : Pneumatic (single or double acting) or electrical actuator, manual override, position indicator, mechanical limit switch, nitrogen insufflation / leakage detector in the stuffing box, cleaning nozzle.

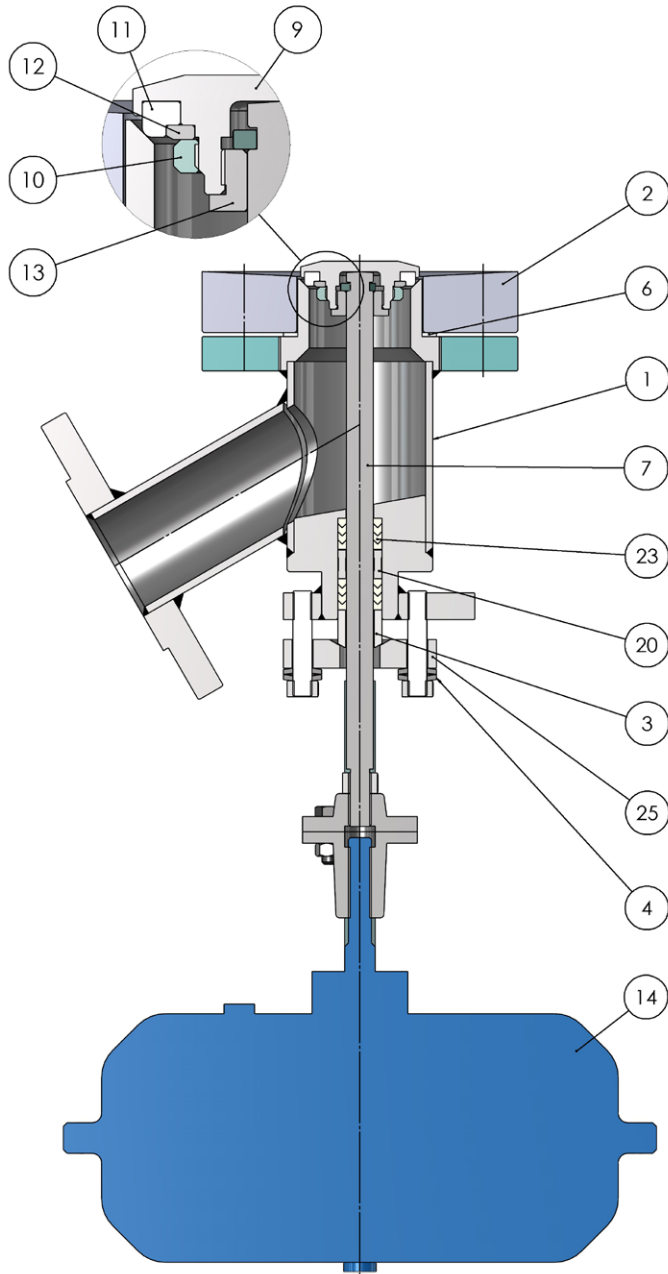
Note: bold, standard parameters.



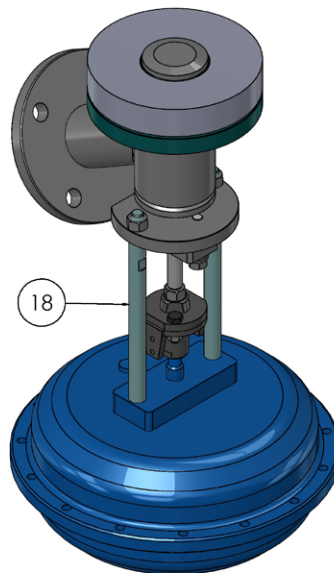
	<b>A</b>	<b>B x ØC</b>	<b>D</b>	<b>E</b>	<b>F</b>	<b>G</b>	<b>H</b>	<b>I</b>	<b>N</b>	<b>O</b>
<b>DN 25</b>	115	4 X Ø14	85	40	30	30	115	110	424	210
<b>DN 32</b>	140	4 X Ø18	100	52	30	40	115	110	450	210
<b>DN 40</b>	150	4 X Ø18	110	52	30	42	125	125	504	310
<b>DN 50</b>	165	4 x Ø18	125	65	32	52	125	130	504	310
<b>DN 65</b>	185	8 x Ø18	145	82	32	65	145	155	554	310
<b>DN 80</b>	200	8 x Ø18	160	95	32	83	170	155	565	310
<b>DN 100</b>	220	8 x Ø18	180	122	32	110	180	180	735	420
<b>DN 150</b>	285	8 x Ø22	240	160	40	155	300	210	1005	600
<b>DN 200</b>	340	8 X Ø22	295	230	40	205	365	270	1326	600
<b>DN 250</b>	395	12 x Ø22	350	280	50	255	*	*	*	600
<b>DN 300</b>	445	12 x Ø22	400	330	70	305	*	*	*	600

All other manufacturing are available on request

## TANK BOTTOM VALVE DN25 to DN300 - Type 4000 pneumatic -



N°.	Description	Qty
1	Body	1
2	PAD	1
3	Gland	1
4	Spring washer	4
6	Body gasket	1
7	Stem	1
9	Seat	1
10	Holding nut	1
11	Sealing disk	1
12	Plug disk	1
13	Valve nut	1
14	Pneumatic actuator	1
18	Column	1
20	Lantern	1
23	Packing	4
25	Gland flange	1



Find out more about our tank bottom valves:  
<http://www.bom.fr/en/tank-bottom-valve>



All other manufacturing are available on request

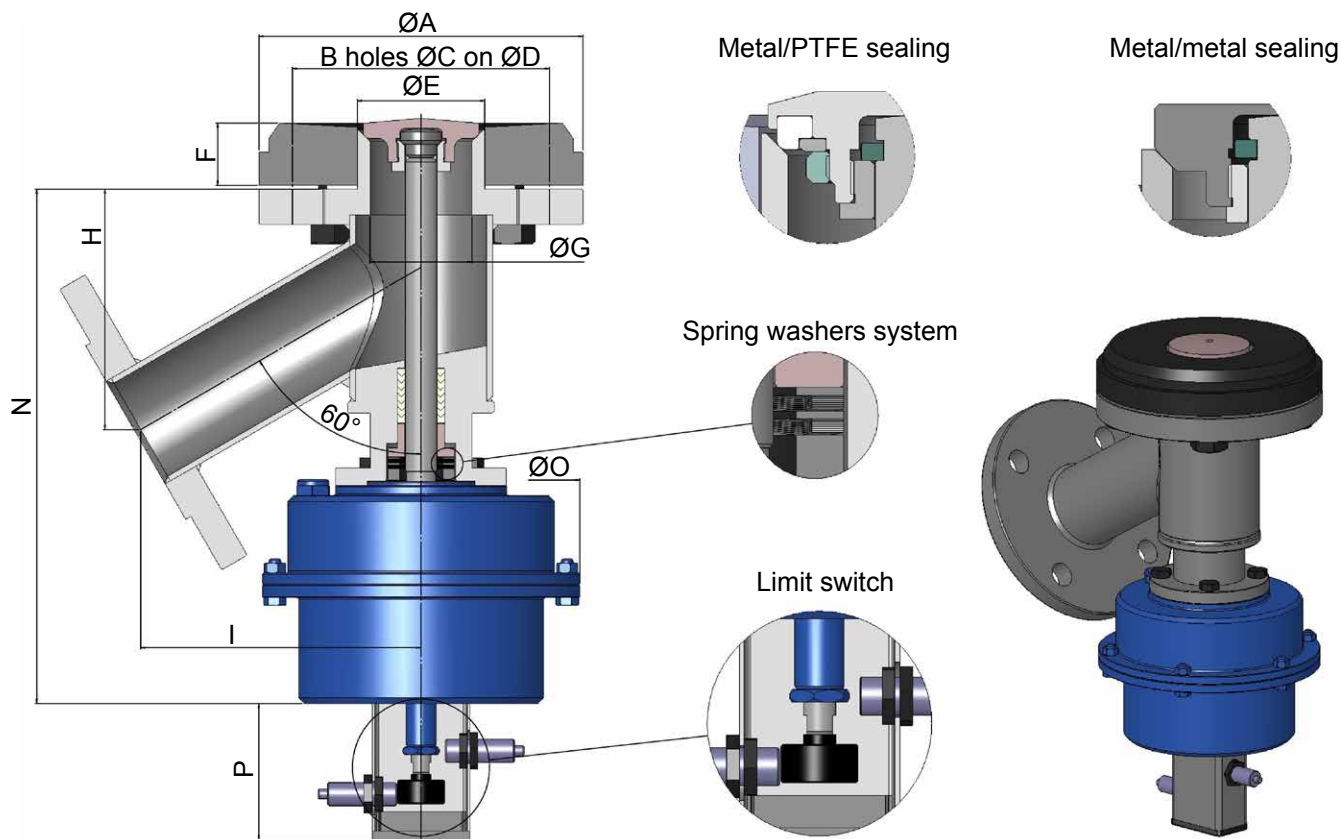
## TANK BOTTOM VALVE DN25 to DN100

### - Type 4000 compact pneumatic -

#### Description

- **Size** : DN25 to DN100.
- **Connection** : **Flange (PN10 - PN16 and PN20)**.
- **Discharge** : **60° outlet**, 75°, other on request.
- **Packing material** : PTFE, **25% glass PTFE rafter**, graphite, O-ring stuffing box.
- **Body seal material** : **25% glass PTFE**, graphite, spiral stainless steel/graphite.
- **Plug sealing** : **Metal/PTFE**, metal/metal, hard faced.
- **Wetted materials** : **1.4404 (316L)**, 1.4306 (304L), steel, nickel alloy (inconel, hastelloy, monel, nickel, zirconium...), 904L (uranus), 1.4571 (316Ti), titanium, tantalum.
- **Options** : Pneumatic (single or double acting) or electrical actuator, manual override, position indicator, mechanical limit switch, nitrogen insufflation / leakage detector in the stuffing box, cleaning nozzle.

Note: bold, standard parameters.

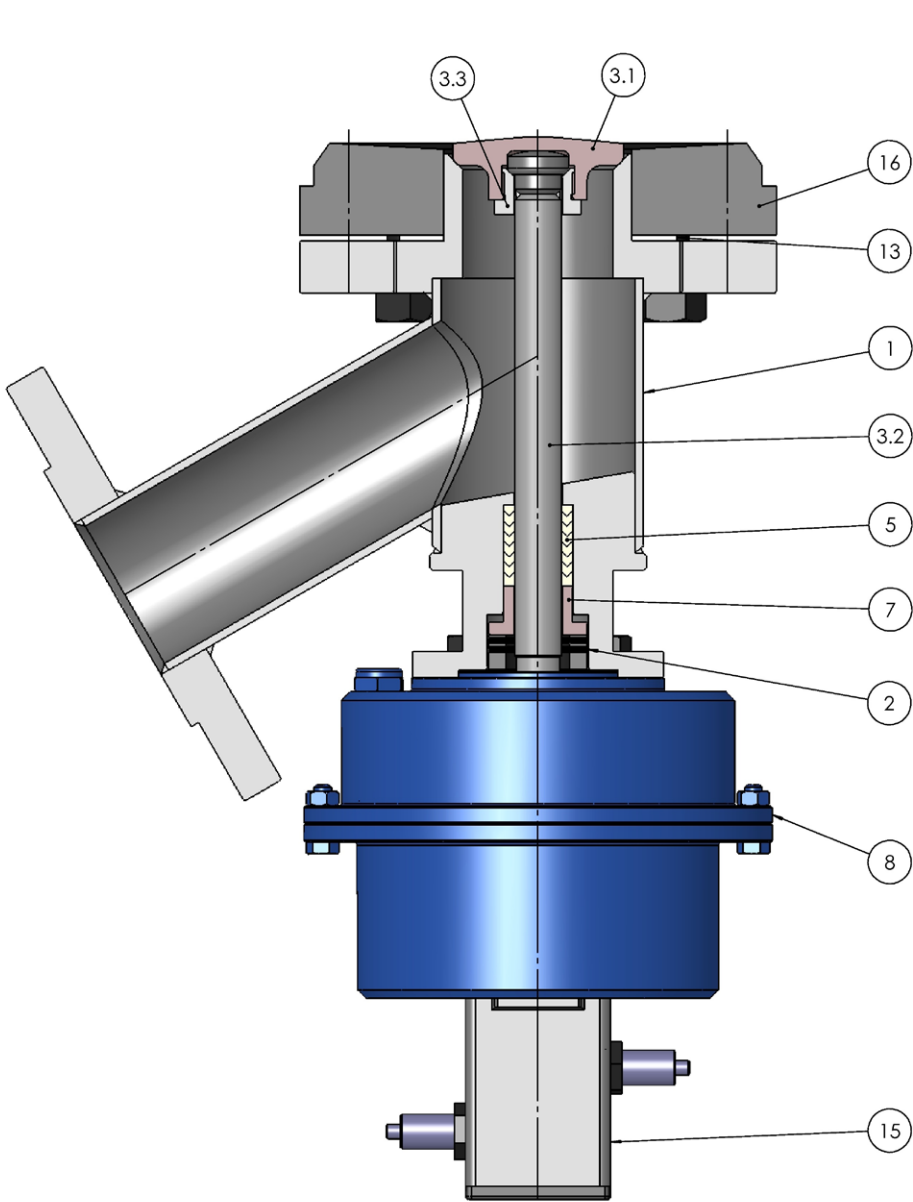


	<b>A</b>	<b>B x ØC</b>	<b>D</b>	<b>E</b>	<b>F</b>	<b>G</b>	<b>H</b>	<b>I</b>	<b>N</b>	<b>O</b>	<b>P</b>
<b>DN 25</b>	115	4 x Ø14	85	40	30	30	115	120	250	165	70
<b>DN 32</b>	140	4 x Ø18	100	52	30	40	115	140	250	165	70
<b>DN 40</b>	150	4 x Ø18	110	52	30	42	125	140	270	165	70
<b>DN 50</b>	165	4 x Ø18	125	65	32	52	125	150	270	165	70
<b>DN 65</b>	185	8 x Ø18	145	82	32	65	150	155	320	222	90
<b>DN 80</b>	200	8 x Ø18	160	95	32	83	165	165	350	222	90
<b>DN 100</b>	220	8 x Ø18	180	122	32	110	175	165	390	222	90

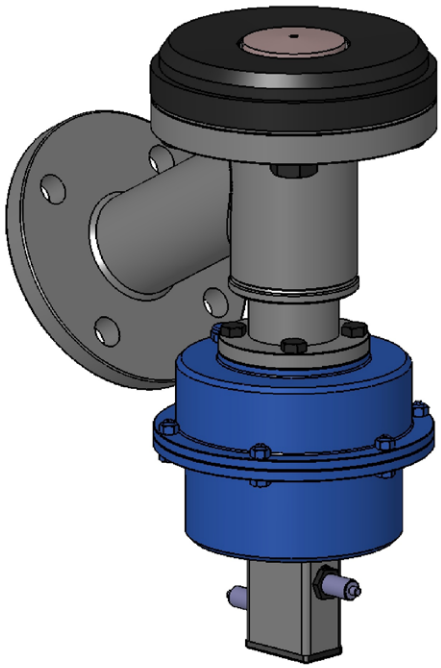
All other manufacturing are available on request

Non-contractual document

**TANK BOTTOM VALVE DN25 to DN100  
- Type 4000 compact pneumatic -**



N°	Description	Qty
1	Body	1
2	Spring washer	1
3.1	Disk	1
3.2	Stem	1
3.3	Valve nut	1
5	Packing	6
7	Gland	1
8	Compact pneumatic actuator	1
13	Body gasket	1
15	Detection tools	1
16	PAD	1



Non-contractual document

Find out more about our tank bottom valves:  
<http://www.bom.fr/en/tank-bottom-valve>



**All other manufacturing are available on request**

# BOM

INDUSTRIAL VALVES



BOM Industrial  
Valves



24 rue Pierre MENDES FRANCE  
69120 Vaulx en Velin - France  
Phone : +33 (0)4 78 05 60 60 - Fax : +33 (0)4 78 05 60 69  
www.bom.fr - Email : bom@bom.fr

